

DMM12

Digital Automatic Microphone Mixer
12 Channel input – 2x Stereo Output

AKG
by HARMAN



Large Meetings Made Easy

The AKG DMM12 mixes 12x Mic/Line inputs with a high sophisticated algorithm. It offers high S/N ratio while reducing the number of open microphones to a minimum. Numerous DSP functions make the DMM12 highly professional – all out of one 19" 1HU device. The unit is cascadable up to 10 units. All 12 inputs are individually routable to 2 stereo outputs and on record output. An RS232 interface allows external control – e.g. AMX or Crestron. The following adjustable functions are available: Level, Treble, Bass, Low Cut, Limiter, Compressor, Automixing yes/no, Priority (ducking), Pan / Balance, Routing To REC, Routing To Out1, Routing To Out2, Delay. An intuitive, unique user interface allows easy control and adjustment of each function as one would use an analogue device – just with all the advantages the digital world offers.

Implemented Functions:

- *Lo-Cut*
- *Lo-Shelving*
- *Hi-Shelving*
- *Compressor*
- *Lautstärke*
- *Automixing*
- *Ducking*
- *Pan / Balance*
- *Routing To Out1*
- *Routing To Out2*
- *Routing To REC*
- *NOM-Attenuation*
- *Limiter*
- *Delay*

HIGHLIGHTS

High sophisticated mixing algorithm

Don't let you miss one syllable

Full digital

All DSP activities are managed in the digital world

Intuitive User Interface

Concentrate on the real things

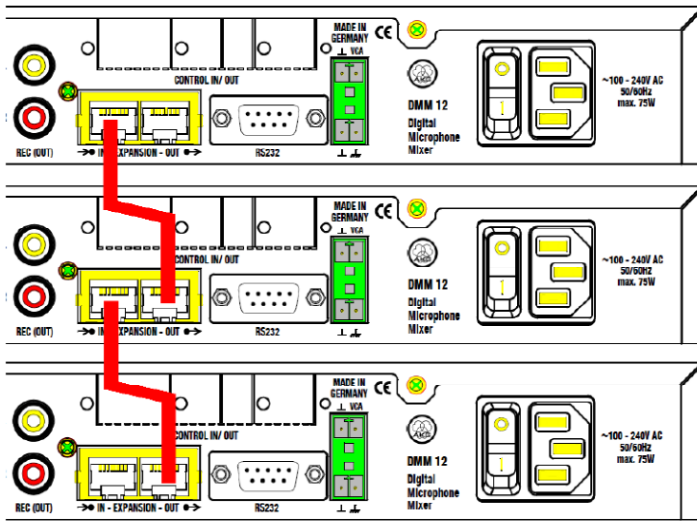
Matrix

Create different mixes to different outputs

Cascadable

Up to 10 units (up to 120 inputs)

Cascading:



KEY SPECIFICATIONS

Number of Input Channels: 12x: Line, Mic, Aux, mono, Phoenix Type
 Phantom Power: +48V, max 10mA per input
 Type: symmetrical
 Level: -60dBu to 0dBu
 FRQ Range +/-3dB: 20Hz – 20kHz
 THD&N: < 0.1%
 Noise Level (22Hz-22kHz, QPK): <-120dBu
 Dynamics: > 100dB
 Distortion Headroom: 20dB
 S/N (22Hz-22kHz, RMS, A-Filter):>90dB

Included Accessories:

Power Cable

Quick Start Guide

SKU: 6500H00020

HARMAN AKG Acoustics GmbH Lemböckgasse 21–25, 1230 Vienna, AUSTRIA
 AKG Acoustics, U.S. 8400 Balboa Boulevard, Northridge, CA 91329, U.S.A.

© 2012 HARMAN International Industries, Incorporated. All rights reserved. AKG is a trademark of AKG Acoustics GmbH, registered in the United States and/or other countries.
 Features, specifications and appearance are subject to change without notice.