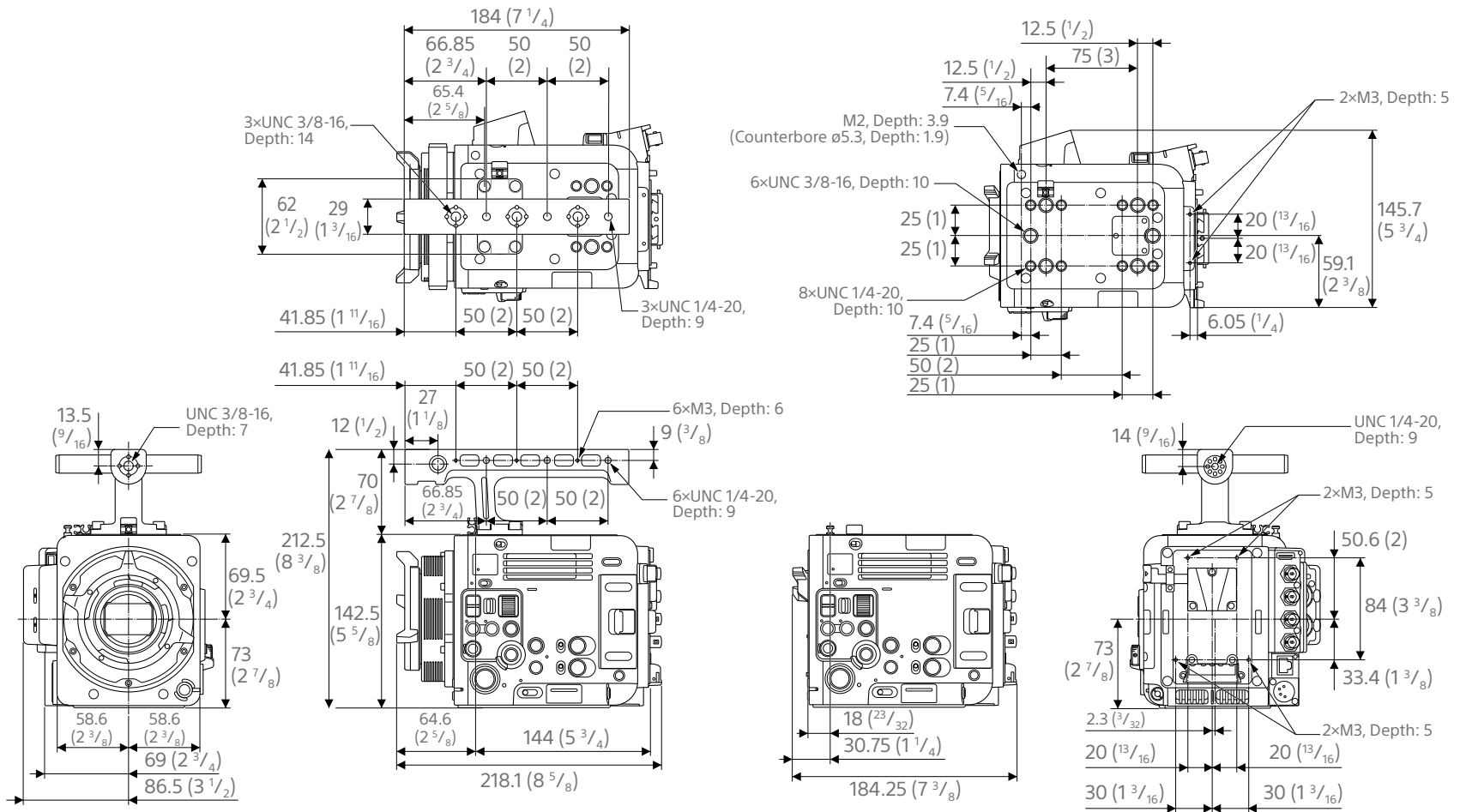


Top/front/operator switch side/rear

Unit: mm (inches)



Connector side/bottom

