

KSM353

User Guide

Le Guide de l'Utilisateur

Bedienungsanleitung

Guia del Usuario

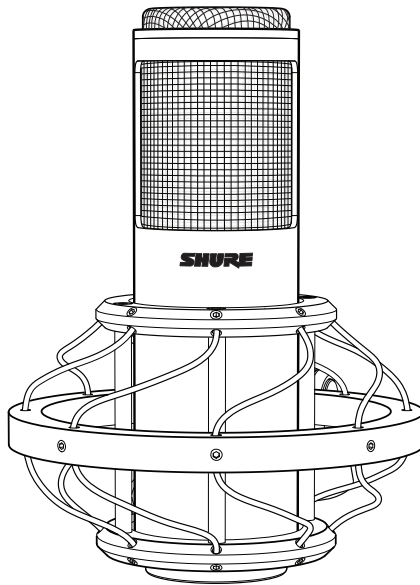
Guida dell'Utente

Руководство пользователя

取扱説明書

사용자 안내서

用戶指南



SHURE INCORPORATED



KSM353

KSM353 Premier Bidirectional Microphone with Roswellite® Ribbon Technology

Thank you for selecting the KSM series from Shure.

Over 85 years of audio experience has contributed to making this
one of the finest microphones available.

If you have any questions not answered in this guide, please contact Shure Applications Engineering at 847-600-8440, Monday through Friday, from 8:00 am to 4:30 pm, CST. In Europe, call 49-7131-72140. Our web address is www.shure.com.

General Description

The KSM353 is a premium bidirectional ribbon microphone crafted for pristine audio in studio and concert hall applications. It is hand-assembled in the U.S.A. from state-of-the-art transducers, transformers and metals as the pinnacle of Shure quality for prestigious vocal and acoustic performances.

Proprietary Roswellite® ribbon technology provides revolutionary ribbon resilience and durability under extreme conditions. The Roswellite ribbon material replaces traditional foil ribbons with high tensile strength, toughness, and shape memory that provides superior resilience at extreme sound pressure levels (SPLs).

Features

- Legendary Shure quality and superior construction from hand-assembly of machined steel, silver, gold and aluminum components
- Revolutionary Roswellite ribbon material replaces traditional foil ribbons with high tensile strength, toughness and shape-memory that provides superior resilience at extreme SPLs
- Patented, custom ribbon motor assembly provides full low and mid ranges with superior upper presence from a rising response
- 30 – 15,000 Hz frequency response ideal for capturing fast transients in vocals, acoustic instruments and concert halls
- Uniform bidirectional polar pattern throughout the frequency range
- Custom-wound, double-shielded, full-size transformer minimizes signal loss and maximizes output while reducing RF interference, positioned perpendicular to ribbon for best magnetic flux rejection
- Military-grade, wire rope suspension mount surpasses traditional rubber and elastic cord mounts in resilience and shock absorption

Performance Characteristics

Ribbon microphones perform optimally with the least amount of loading on the ribbon element as practical. The higher the impedance input on the microphone, the better the low-end and mid-range frequencies are represented in the output signal. Shure recommends using preamps with impedance settings of 1000 Ohms or more, although different load impedances may be used for a desired sound quality.

This is a low-noise microphone. The combination of its efficient transducer, robust shielding, and custom transformer produces a low noise floor and output level equal to moving coil microphones.

Shure ribbon microphones have an exceptionally smooth, natural response and perform best with preamps that provide simple, transparent gain. However, Shure encourages experimentation to find the desired combination of color and transparency.

Applications

The KSM353 is a premium microphone, capturing superior audio quality in a wide range of environments. The following are some suggested applications:

- Studio vocals
- Orchestra ensembles
- Acoustic instruments
- Ambient or room pickup
- Voice-over for film or broadcast

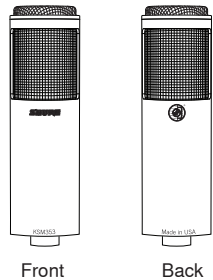
Stereo Techniques

- Blumlein: Use a pair of KSM353 microphones for natural stereo representation. Excellent for grand piano, orchestras, or large ensembles.
- Mid-side (M-S): Use a KSM353 with a cardioid microphone, such as the KSM137 or KSM32, to produce a variable-controlled stereo image without moving the microphone.

Positioning

Position the front of the microphone towards the desired sound source. Position the sides, the null points of a bidirectional microphone, towards any unwanted sound sources.

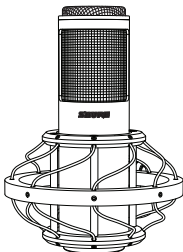
Note: When addressing the back side of a bidirectional microphone, please remember to invert the signal polarity. Shure's A15PRS accessory is an in-line, balanced, polarity-reversing switch capable of this operation and is available online at: store.shure.com



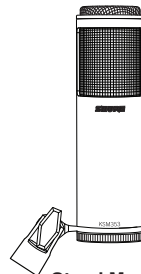
Mounting the Microphone

The supplied suspension mount is designed with military-grade, wire rope technology, providing superior resilience and shock absorption. Thread the mount onto a floor or boom stand and insert the microphone.

For discreet placement or when space is limited, use a hard stand mount. Visit www.shure.com for more information.



**Suspension Mount
(furnished)**



**Stand Mount
(optional accessory)**

Proximity Effect

Directional microphones progressively boost bass frequencies as the microphone is placed in closer proximity to the source. This phenomenon, known as proximity effect, can be used to create a warmer, more powerful sound.

Care and Handling

To protect your microphone, keep a few simple precautions in mind to ensure long-term performance:

1. Store your microphone in its protective case when it is not in use.
2. Maintain a reasonable distance from fluorescent lights, power transformers, and other strong electromagnetic sources to avoid hum.
3. Use a secure mount and stand and a quality balanced, shielded XLR connecting cable. For additional mounting accessories, visit our website: www.shure.com
4. Phantom power is not necessary and should not be supplied when connecting or disconnecting the microphone. However, properly supplied phantom power will not harm the microphone.

Certifications

Eligible to bear CE Marking. Conforms to European EMC Directive 2004/108/EC. Meets Harmonized Standards EN55103-1:1996 and EN55103-2:1996, for residential (E1) and light industrial (E2) environments.

The CE Declaration of Conformity can be obtained from: www.shure.com/europe/compliance

Authorized European representative:
Shure Europe GmbH
Headquarters Europe, Middle East & Africa
Department: EMEA Approval
Wannenacker Str. 28
D-74078 Heilbronn, Germany
Phone: +49 7131 72 14 0
Fax: +49 7131 72 14 14
Email: EMEAsupport@shure.de

Note: Information in this guide is subject to change without notice. For additional information about this product, please visit www.shure.com.

Specifications

Transducer Type	Roswellite® Ribbon
Polar Pattern	Bidirectional
Frequency Response	30 to 15,000 Hz
Output Impedance	330 Ω
Sensitivity open circuit voltage, @ 1 kHz, typical	-53.5 dBV/Pa ^[1] (2.11 mV)
Maximum SPL	146 dB SPL
Polarity	Positive pressure on front side of ribbon produces positive voltage on pin 2 with respect to pin 3
Housing	Machined stainless steel
Weight	Microphone: 633 g (1.4 lbs) with shockmount: 950 g (2.1 lbs)

^[1] 1 Pa=94 dB SPL

KSM353/ED Accessories and Parts

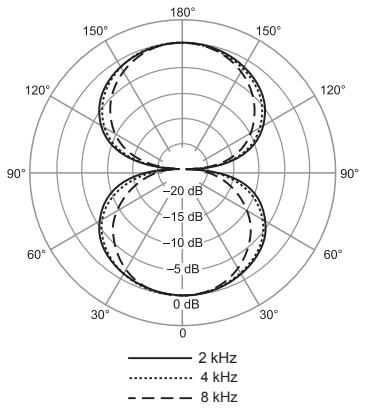
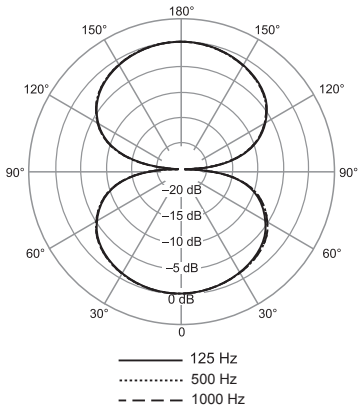
Furnished Accessories

Aluminum Carrying Case	A353SC
Shurelock® Wire Rope Suspension Mount	A300SM
Protective Velveteen Pouch	A353VB
Polishing Cloth	A300PC

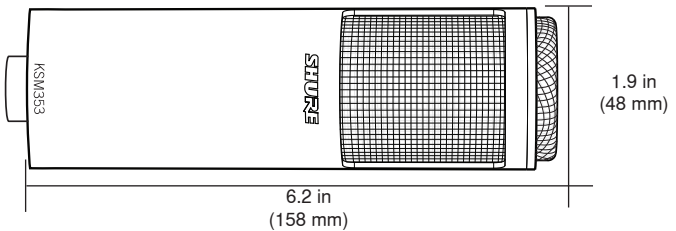
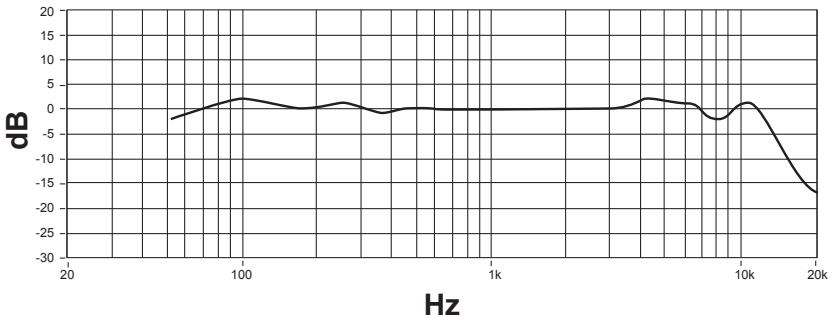
Optional Accessories

ShureLock® Stand Mount	A300M
Switchable Phase Reverser	A15PRS
Popper Stopper™ Windscreen	PS-6
7.6 m (25 ft.) Cable	C25E

Polar Pattern



Frequency Response



Trademark Notices:

"Roswellite", "Shurelock", the circular S logo, the stylized Shure logo, and the word "Shure" are registered trademarks of Shure Incorporated in the United States. These marks may be registered in other jurisdictions. "Popper Stopper" is a trademark of Shure Incorporated in the United States.

Patent Notice:

U.S. Patent 7,894,619. Patent applied for in other jurisdictions.



United States, Canada, Latin America, Caribbean:

Shure Incorporated
5800 West Touhy Avenue
Niles, IL 60714-4608 USA

Phone: 847-600-2000
Fax: 847-600-1212 (USA)
Fax: 847-600-6446
Email: info@shure.com

Europe, Middle East, Africa:

Shure Europe GmbH
Jakob-Dieffenbacher-Str. 12,
75031 Eppingen, Germany

Phone: 49-7262-92490
Fax: 49-7262-9249114
Email: info@shure.de

Asia, Pacific:

Shure Asia Limited
22/F, 625 King's Road
North Point, Island East
Hong Kong

Phone: 852-2893-4290
Fax: 852-2893-4055
Email: info@shure.com.hk