

POD PACK 1

Box Contents

Contenido de la caja

Contenu de la boîte

Contenuti della confezione

Lieferumfang



Assembly

Armado

Montage

Montaggio

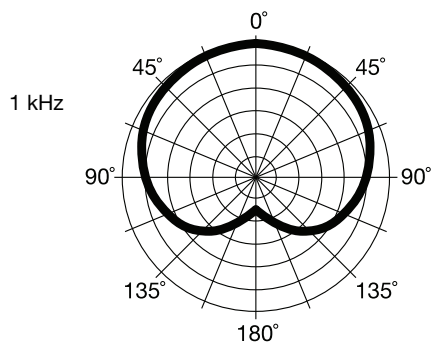
Montage



Technical Specifications
 Especificaciones técnicas
 Spécifications techniques
 Specifiche tecniche
 Technische Daten

Type	Back-electret condenser microphone
Polar Pattern	Cardioid
Frequency Response	20–17000 Hz
Sensitivity	-34 dB \pm 2 dB (0 dB = 1 V/Pa @ 1 kHz)
Impedance	Output: 100 Ω \pm 30% (@ 1 kHz) Load: \geq 1000 Ω
Self-Noise	16 dBA
Maximum SPL	132 dB (THD \leq 1%, 1 kHz)
Signal-to-Noise Ratio	78 dB
Power	USB
Dimensions	Microphone (length x diameter): 6.69" x 2.09" / 170 x 53 mm Stand (telescoping range): 15.7–27.6" / 40–70 cm
Weight	Microphone: 0.59 lbs. / 0.27 kg Stand (without base clamp): 0.84 lbs. / 0.38 kg

Polar Pattern
 Patrón polar
 Diagramme polaire
 Figura polare
 Polardiagramm



Frequency Response
 Respuesta en frecuencia
 Réponse en fréquence
 Risposta di frequenza
 Frequenzgang

