

Key Features:

- ▶ 18-inch JBL Selenium driver for extended low-frequency output
- ▶ Large vent area for reduced distortion
- ▶ Low profile and compact
- ▶ Tough DuraFlex™ finish enclosure

Applications:

- ▶ Live performance venues
- ▶ Mobile and fixed DJ systems

The PRX418S is a compact, high power subwoofer system containing a JBL Selenium 457 mm (18") woofer in a front-loaded, vented enclosure. The enclosure is designed to present a minimum frontal area.

The system offers complete input connection flexibility for compatibility with a variety of cabling schemes. The input panel incorporates a pair of Neutrik® Speakon® NL-2 / ¼" TS phone combo jack connectors wired in parallel. The PRX418S is supplied with pins +1/-1 connected to the woofer.

The enclosure is constructed of birch/poplar multi-laminate hardwood and coated in JBL's rugged DuraFlex™ finish. The distinctive 16-gauge steel grille is CNC-machined for precision. The grilles are internally lined with an acoustically transparent screen to provide additional driver protection and give a very professional appearance.



Specifications:

Frequency Range (-10 dB):	35 Hz – 250 Hz
Frequency Response (±3 dB):	52 Hz – 120 Hz
Input Connection Modes:	+1/-1
Recommended Crossover:	80 Hz, 24 - 48 dB/octave
Recommended Filter:	35 Hz, 24 dB/octave subsonic high-pass
Power Rating ¹ :	800 W/ 1600 W/ 3200 W, 2 hrs (Continuous / Program / Peak)
Maximum SPL ² :	124 dB SPL continuous (130 dB SPL peak)
System Sensitivity (1w @ 1m) ² :	95 dB SPL; 100 dB SPL
LF Driver:	1 x JBL Selenium SWS1000W 457 mm (18 in) woofer
Nominal Impedance:	8 ohms
Mounting:	Top mounted for optional SS4-BK pole
Enclosure:	Rectangular, 18 mm, birch/poplar plywood
Finish:	Black DuraFlex™ finish
Grille:	Powder coated, black, 16-gauge perforated steel with acoustically transparent black screen backing.
Input Connectors:	Two Neutrik® Speakon® NL-2 / ¼" TS phone combo jacks
Dimensions (H x W x D):	678 mm x 536 mm x 615 mm (26.7 in x 21.1 in x 24.2 in)
Net Weight:	36.0 kg (79 lb)
Optional Accessories:	SS4-BK: Satellite speaker pole

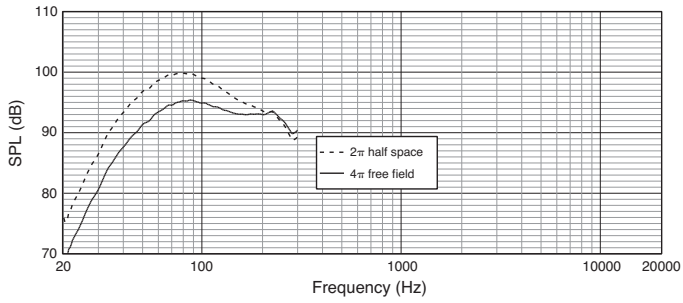
¹ 30 Hz to 130 Hz pink noise with 6 dB crest factor for specified period

² Calculated on half space condition

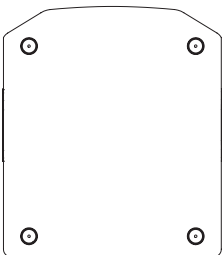
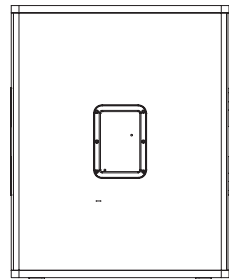
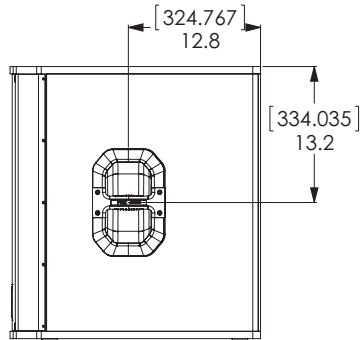
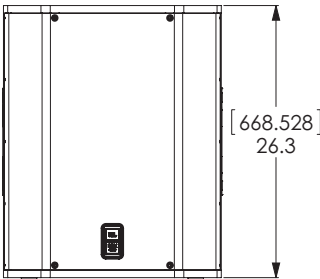
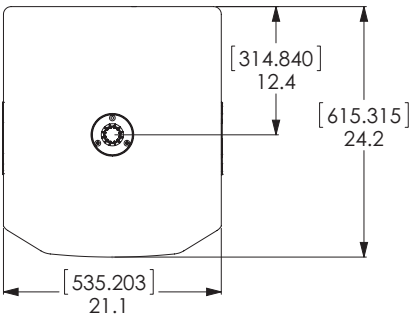
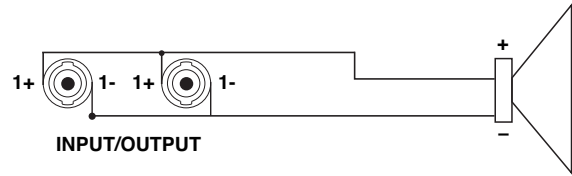
JBL continually engages in research related to product improvement. Some materials, production methods and design refinements are introduced into existing products without notice as a routine expression of that philosophy. For this reason, any current JBL product may differ in some respect from its published description, but will always equal or exceed the original design specifications unless otherwise stated.

▶ PRX418S 18" High-Power Subwoofer

Frequency Response:



Block Diagram:



Dimensions in mm (in)



JBL Professional
8500 Balboa Boulevard, P.O. Box 2200
Northridge, California 91329 U.S.A.

© Copyright 2012 JBL Professional
www.jblpro.com

SS PRX418S
CRP
06/12