

# DENON

**PROFESSIONAL**

## FLASH START REMOTE CONTROLLER

<b>User Guide</b>	English (3–10)
<b>Guía del usuario</b>	Español (11–18)
<b>Guide d'utilisation</b>	Français (19–26)
<b>Guida per l'uso</b>	Italiano (27–34)
<b>Benutzerhandbuch</b>	Deutsch (35–42)
<b>Appendix</b>	English (43)



## User Guide (English)

### Introduction

Thank you for purchasing the Flash Start Remote Controller. At Denon Professional, performance and reliability mean as much to us as they do to you. That's why we design our equipment with only one thing in mind—to make your performance the best it can be.

### Box Contents

Flash Start Remote Controller

RS-232C Cable (9-pin D-sub)

USB Cable

User Guide

Safety & Warranty Manual

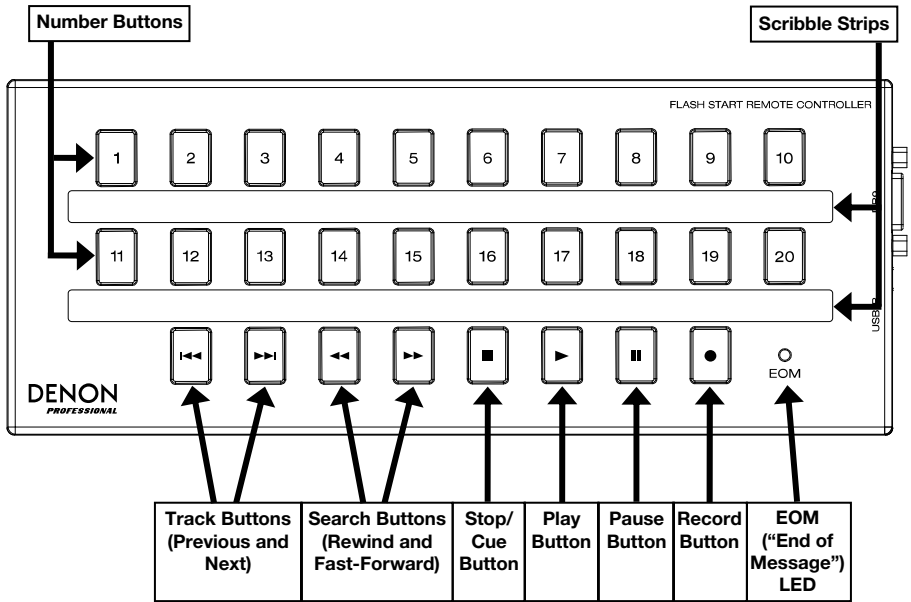
### Support

For the latest information about this product (documentation, technical specifications, system requirements, compatibility information, etc.) and product registration, visit [denonpro.com](https://denonpro.com).

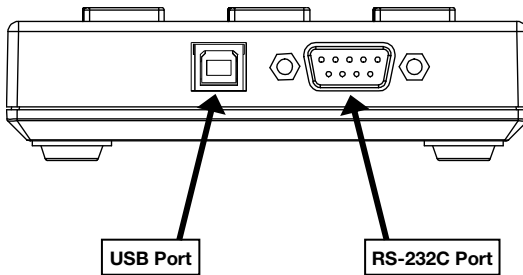
For additional product support, visit [denonpro.com/support](https://denonpro.com/support).

## Features

### Top Panel



### Side Panel



## Setup

The Flash Start Remote Controller is designed to be connected to one of a select number of Denon or Marantz Professional media devices. When Flash Start and your media device are connected, you will be able to operate the device through the controls on Flash Start.

You can also connect the Flash Start Remote Controller to your computer. When connected to your computer, you can use Flash Start to operate Groove Music, Windows Media Player, Apple Music, iTunes, or YouTube.

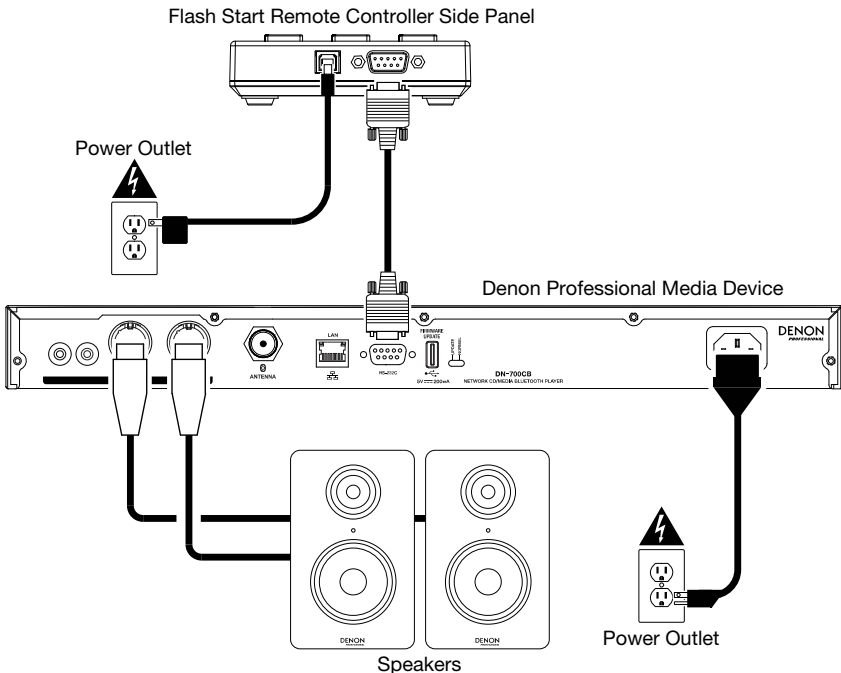
**Note:** The buttons on the Flash Start Remote Controller work differently depending on what device the remote is connected to. See the [Operation](#) section to better understand how the remote will work specifically with your device or computer application. See the [Appendix](#) for a list of Denon and Marantz Professional media devices with which Flash Start is compatible.

### Example 1 (Controlling a Denon or Marantz Professional Media Device)

**To set up Flash Start for controlling a Denon or Marantz Professional Media Device:**

1. Connect the included RS-232C cable (9-pin D-sub) from the **RS-232C Port** on Flash Start to the RS-232C Port on your media device. This is the connection through which Flash Start will control your media device.
2. Connect the included USB cable to a power source in order to provide power to Flash Start. Plug the USB-B end of the cable into Flash Start's **USB Port** and the USB-A end of the cable into a USB port on your media device, to a computer USB port, or to a USB power adapter (DC 5V, not included).
3. Power on your media device.

### Connection Diagram



## Setting the Baud Rate

In order for Flash Start to be able to control your Denon or Marantz Professional media device, the baud rate on Flash Start must be set the same as the baud rate on the device. Consult the [Appendix](#) to see the baud rates available on each Denon and Marantz Professional media device with which Flash Start is compatible.

**To set Flash Start's baud rate to 9600 b/s**, press the **Fast-Forward** and **1** buttons at the same time.

**To set Flash Start's baud rate to 38400 b/s**, press the **Fast-Forward** and **2** buttons at the same time.

**To set Flash Start's baud rate to 115200 b/s**, press the **Fast-Forward** and **3** buttons at the same time.

**Note:** See the "Basic Instructions" chart on Flash Start's bottom panel for a reminder on how to change the baud rate. Alternatively, you can download this chart by going to the **Downloads** tab of Flash Start Remote Controller's product page at [denonpro.com](http://denonpro.com).

**Note:** If the baud rate is set properly, and your media device fails to receive a command from Flash Start, the remote's button LEDs will blink three times. After they blink three times, wait one second and then retry the button you pressed.

## Example 2 (Controlling a Computer Application)

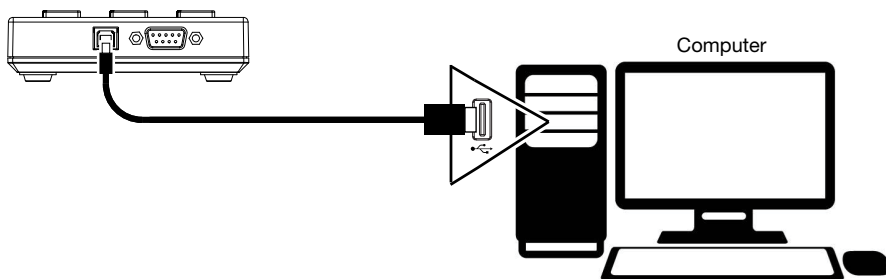
**To set up Flash Start for controlling a computer application:**

1. Connect the included USB cable from Flash Start to your computer. Plug the USB-B end of the cable into Flash Start's USB port and the USB-A end of the cable into a USB port on your computer. This is the connection through which Flash Start will control your computer application, and it will also provide power to Flash Start.
2. Power on your computer and open the application that you would like to control (Groove Music, Windows Media Player, Apple Music, iTunes, or YouTube).

**Note:** When Flash Start is recognized by your computer, it will be mounted as a disk drive. However, Flash Start cannot be used for storing files.

## Connection Diagram

Flash Start Remote Controller Side Panel



## Operation

### Using Flash Start with a Denon or Marantz Professional Media Device

#### Enabling Control of Your Media Device

To enable Flash Start to control your media device, press the **rewind** and **fast-forward** buttons at the same time.

**Note:** If Flash Start is currently set to control a computer application, you will need to press the **Stop** and **11 buttons** at the same time to switch from USB control to RS-232C control. After doing this, press the **rewind** and **fast-forward** buttons at the same time to enable Flash Start to control your media device.

#### Initiating Hot Start Playback

To play hot start tracks:

1. Enter Hot Start Mode by pressing the **Stop** and **5 buttons** at the same time.

**Note:** See the chart on Flash Start's bottom panel for a reminder on how to enter this mode. Alternatively, you can download this chart by going to the **Downloads** tab of Flash Start Remote Controller's product page at [denonpro.com](http://denonpro.com).

2. Select the track you want to play by pressing the **Number button** corresponding to the track's assigned hot start number. The track will then begin playing. The **Number button** corresponding to the hot start number will remain brightly lit while the track is playing.

#### Selecting a Track for Playback by Track Number

To select and play tracks by track number:

1. Enter Media Track mode by pressing the **Stop** and **6 buttons** at the same time.

**Note:** See the chart on Flash Start's bottom panel for a reminder on how to enter this mode. Alternatively, you can download this chart by going to the **Downloads** tab of Flash Start Remote Controller's product page at [denonpro.com](http://denonpro.com).

2. Select the track by pressing the **Number button** corresponding to the track number for the file you want to play. The track will then be cued for playback, and the **Number button** will be brightly lit.
3. Press the **Play button** to initiate playback. The corresponding **Number button** will remain brightly lit while the track is playing.

#### Pausing, Cueing, and Stopping Tracks

To pause a track in mid-playback, press the **Pause button**.

To stop a track on the DN-500CB or PMD-526C, press the **Stop/Cue button**.

To stop or cue a track on the DN-700CB, DN-501C, DN-700C, DN-500R, DN-700R, or DN-900R, press the **Stop/Cue button**. The exact function of this button will depend on the **Finish Mode** setting of your media device:

- If Finish Mode is set to Stop, pressing the **Stop/Cue button** will stop playback.
- If Finish Mode is set to Next, pressing the **Stop/Cue button** will cue the next track in the tracklist.
- If Finish Mode is set to Recue, pressing the **Stop/Cue button** will cue the track time position from which playback was last started.

When a track is cued, the **Number button** corresponding to the cued track will be brightly lit.

To initiate playback of a paused or cued track, press the **Play button**.

## Searching through Tracks

To **rewind or fast-forward through the current track on a DN-500CB, DN-700CB, or PMD-526C**, press the **rewind** or **fast-forward button**. The media device will search through the track at 30X the normal playback speed, and a second press of the **Rewind** or **Fast-forward button** will resume normal playback.

To **stop rewinding or fast-forwarding at the current track time on a DN-500CB, DN-700CB, or PMD-526C**, press the **Play button**, **Pause button**, or press the **Rewind** or **Fast-forward button** a second time.

To **rewind or fast-forward through the current track on a DN-501C, DN-700C, DN-500R, DN-700R, or DN-900R**, press the **Rewind** or **Fast-forward button**. With each press of the button, the media device will cycle through the search speeds: 2X, 10X, 50X, 100X, and 200X the normal playback speed.

To **stop rewinding or fast-forwarding at the current track time on a DN-501C, DN-700C, DN-500R, DN-700R, or DN-900R**, press the **Play** or **Pause button**.

## Observing the EOM LED

The **EOM LED** is a warning light that will turn on when the currently playing track is almost finished. The light will then turn off once the track ends.

On the **DN-500CB, DN-700CB, and PMD-526C**, the **EOM LED** will have no function.

On the **DN-501C, DN-700C, DN-500R, DN-700R, and DN-900R**, the amount of time the **EOM LED** will turn on before the end of the current track will depend on the **End of Message** setting configured in the media device's settings menu.

## Recording (DN-500R, DN-700R, and DN-900R only)

To **begin recording**, press the **Record button**. How many times you have to press the button depends on whether **One Touch Recording** is turned on or off on the device connected to your remote:

- If **One Touch Recording** is set to **Off**, press the remote's **Record button** once to enter recording mode and then press it again to start recording. A new file will be created for your recording.
- If **One Touch Recording** is set to **On** in your device's settings, press this button once to start recording. A new file will be created for your recording.

During recording, the **Record button** will be brightly lit.

To **create another new file while recording**, press the **Record button**. The recording will continue but it will be split between the previous and new file.

To **pause an in-progress recording**, press the **Pause button**. While a recording is paused, the **Record button** will flash. After pausing, you can start recording again by pressing the **Record button**, which will resume the same file from the point at which it is paused.

To **stop recording**, press the **Stop button**. After you press **Stop**, the last recorded file will be cued from the beginning.



## Using Flash Start with a Computer

### Enabling USB Control

To enable USB control of your computer application through Flash Start, enter the remote into the mode for controlling the application by pressing the designated button combo:

- **Groove Music or Windows Media Player:** press the **Stop** and **1** buttons at the same time.
- **Apple Music or iTunes on a Mac computer:** press the **Stop** and **2** buttons at the same time.
- **Apple Music or iTunes on a Windows computer:** press the **Stop** and **3** buttons at the same time.
- **YouTube:** press the **Stop** and **4** buttons at the same time.

**Note:** You can consult the chart printed on Flash Start's bottom panel for a reminder on how to enter the modes and for a list of each button's function when controlling each computer application. Alternatively, you can download this chart by going to the **Downloads** tab of Flash Start Remote Controller's product page at [denonpro.com](http://denonpro.com).

### Playing, Selecting, and Searching through Files on Groove Music, Windows Media Player, Apple Music, or iTunes

To play or pause the current file, press the **Play** or **Pause** button.

To stop the current file, press the **Stop** button.

**Note:** This control does not apply if you are using Groove Music.

To skip to the previous or next file, press the **Previous** or **Next** button.

To rewind the current file, press the **Rewind** button.

**Note:** This control does not apply if you are using Groove Music, Apple Music on a Mac computer, or iTunes on a Mac computer. If you are using Windows Media Player, this control will work only with video files.

To fast-forward the current file, press the **Fast-Forward** button.

**Note:** This control does not apply if you are using Groove Music, Apple Music on a Mac computer, or iTunes on a Mac computer.

To stop rewinding or fast-forwarding, press the **Play** or **Pause** button.

To toggle repeat on/off (Windows Media Player and Groove Music only), press the **10** button.

To toggle shuffle on/off, press the **20** button.

**Note:** This control does not apply if you are using Apple Music or iTunes.

### Playing and Searching through YouTube Videos

To play or pause the open video, press the **Play** or **Pause** button.

To stop the open video, press the **Stop** button.

To skip back five seconds in the open video, press the **14** button.

To skip ahead five seconds in the open video, press the **15** button.

## Controlling the Volume Level

To turn the volume up on your application, press the **1** button.

To turn the volume down on your application, press the **11** button.

To mute the application, press the **Record** button.

**Note:** This control does not apply if you are using Apple Music or iTunes on a Mac computer.

## Exiting USB Control

If you would like to exit USB control so that you can use Flash Start to control a Denon or Marantz Professional media device, press the **Stop** and **11** buttons at the same time. After doing this, make sure you press the **rewind** and **fast-forward** buttons at the same time in order to enable Flash Start to control your media device.

## Guía del usuario (Español)

### Introducción

Gracias por comprar el Flash Start Remote Controller. En Denon Professional, el rendimiento y la confiabilidad significan tanto para nosotros como para usted. Por eso es que diseñamos nuestros equipos con una sola cosa en mente—hacer que pueda tocar su mejor interpretación.

### Contenido de la caja

Flash Start Remote Controller

Cable RS-232C (D-sub de 9 espigas)

Cable USB

Guía del usuario

Manual sobre la seguridad y garantía

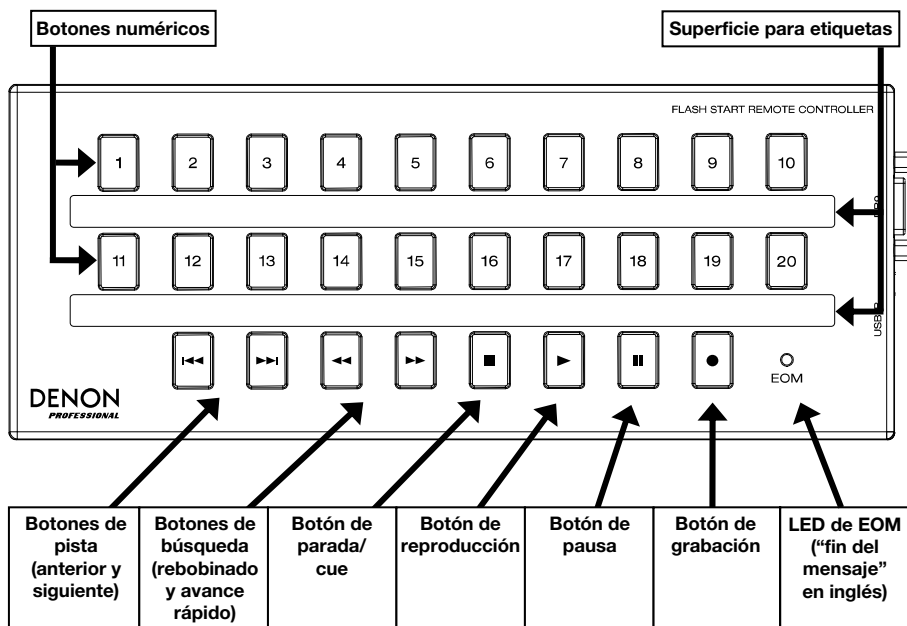
### Soporte

Para obtener la información más reciente acerca de este producto (documentación, especificaciones técnicas, requisitos de sistema, información de compatibilidad, etc.) y registrarlo, visite [denonpro.com](http://denonpro.com).

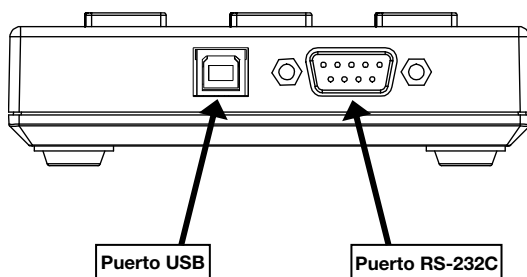
Para obtener soporte adicional del producto, visite [denonpro.com/support](http://denonpro.com/support).

## Características

### Panel superior



### Panel lateral



## Instalación

El controlador remoto Flash Start está diseñado para conectarse a uno de una selecta variedad de dispositivos de medios Denon o Marantz Professional. Cuando el Flash Start y sus dispositivos de medios están conectados, usted será capaz de operar el dispositivo a través de los controles del Flash Start.

También puede conectar el Flash Start a su ordenador. Una vez conectado a su ordenador, usted puede utilizar el Flash Start para operar el Groove Music, Windows Media Player, Apple Music, iTunes o YouTube.

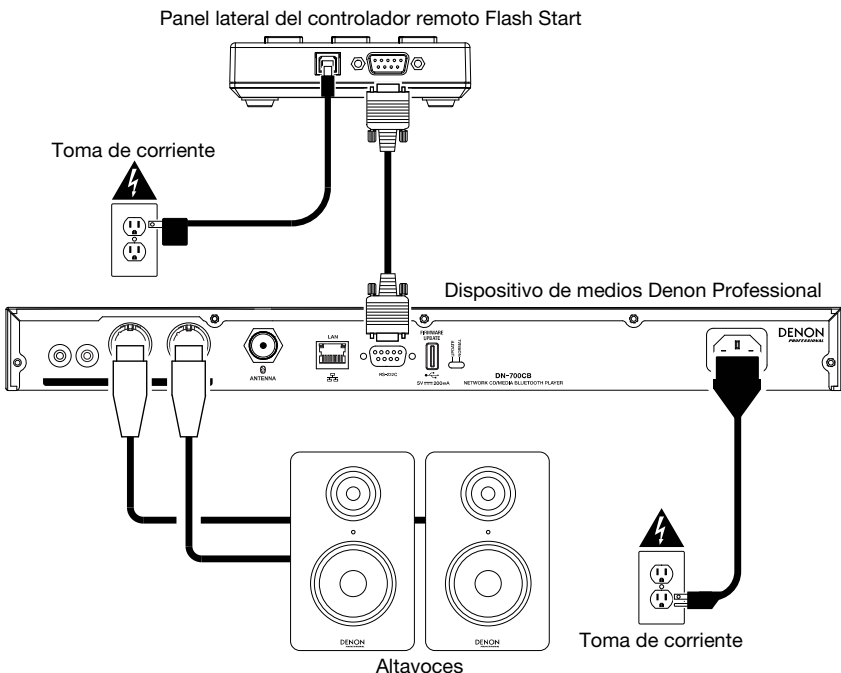
**Nota:** Los botones del controlador remoto Flash Start funcionan de forma diferente en base al dispositivo al cual está conectado. Vea la sección **Funcionamiento** para tener una mejor comprensión de cómo el controlador remoto funcionará específicamente con su dispositivo o aplicación informática. Vea en el **Appendix (English)** una lista de los dispositivos de medios Denon y Marantz Professional con los cuales es compatible el Flash Start.

## Ejemplo 1 (Cómo controlar un dispositivo de medios Denon o Marantz Professional)

**Cómo configurar el Flash Start para controlar un dispositivo de medios Denon o Marantz Professional:**

1. Conecte el cable RS-232C (D-sub de 9 espigas) incluido desde el **puerto RS-232C Port** del Flash Start al puerto RS-232C de su dispositivo de medios. Esta la conexión a través de la cual el Flash Start controlará su dispositivo de medios.
2. Conecte el cable USB incluido a una fuente de corriente a fin de suministrar energía eléctrica al Flash Start. Enchufe el extremo USB-B del cable al **puerto USB** del Flash Start y el extremo USB-A del cable al puerto USB de su dispositivo de medios, al puerto USB de un ordenador o a un adaptador de corriente USB (5 VCC, no incluido).
3. Encienda su dispositivo de medios.

## Diagrama de conexión



## Ajuste de la tasa de baudios

Para que el Flash Start sea capaz de controlar su dispositivo de medios Denon o Marantz Professional, la tasa de baudios del Flash Start debe configurarse al mismo valor que la tasa de baudios del dispositivo. Consulte el **Appendix (English)** para ver las tasas de baudios disponibles en cada dispositivo de medios Denon y Marantz Professional con el cual es compatible el Flash Start.

**Para ajustar la tasa de baudios del Flash Start a 9600 b/s**, pulse el botón de **avance rápido** y el **botón 1** al mismo tiempo.

**Para ajustar la tasa de baudios del Flash Start a 38400 b/s**, pulse el botón de **avance rápido** y el **botón 2** al mismo tiempo.

**Para ajustar la tasa de baudios del Flash Start a 115200 b/s**, pulse el botón de **avance rápido** y el **botón 3** al mismo tiempo.

**Nota:** Consulte la tabla de instrucciones básicas del panel inferior del Flash Start si necesita recordar cómo modificar la tasa de baudios. Como alternativa, puede descargar esta tabla accediendo a la pestaña **Downloads** (Descargas) de la página del producto del controlador remoto Flash Start en [denonpro.com](http://denonpro.com).

**Nota:** Si la tasa de baudios se configura correctamente y su dispositivo de medios no es capaz de recibir un comando del Flash Start, los LED del botón del controlador remoto parpadearán tres veces. Una vez que parpadecen tres veces, espere un segundo y luego vuelva a pulsar el mismo botón.

## Ejemplo 2 (Cómo controlar una aplicación informática)

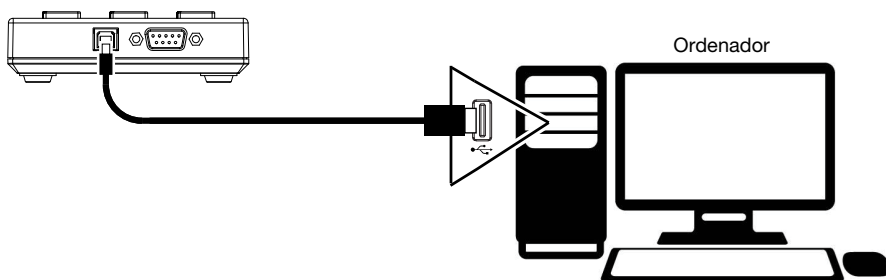
**Cómo configurar el Flash Start para controlar una aplicación informática:**

1. Conecte el cable USB incluido desde el Flash Start a su ordenador. Enchufe el extremo USB-B del cable al puerto USB del Flash Start y el extremo USB-A del cable al puerto USB de su ordenador. Esta es la conexión a través de la cual el Flash Start controlará su aplicación informática y que también proveerá corriente al Flash Start.
2. Encienda su ordenador y abra la aplicación deseada (Groove Music, Windows Media Player, Apple Music, iTunes o YouTube).

**Nota:** Una vez que su ordenador haya reconocido al Flash Start, lo montará como una unidad de disco. Sin embargo, el Flash Start no puede utilizarse para almacenar archivos.

## Diagrama de conexión

Panel lateral del controlador remoto Flash Start



## Funcionamiento

### Cómo utilizar el Flash Start para controlar un dispositivo de medios Denon o Marantz Professional

#### Habilitar el control de su dispositivo multimedia

Para habilitar Flash Start para controlar su dispositivo de medio, pulse los botones de **rebobinado** y **avance rápido** al mismo tiempo.

**Nota:** Si Flash Start está configurado actualmente para controlar una aplicación de computadora, deberá pulsar los botones **Parar** y **11** al mismo tiempo para cambiar del control USB al control RS-232C. Después de hacer esto, pulse los botones de **rebobinado** y **avance rápido** al mismo tiempo para activar que Flash Start controle su dispositivo de medio.

#### Cómo iniciar la reproducción de inicio rápido

Como reproducir pistas de inicio rápido:

1. Entra **Modo de inicio rápido** pulsando los botones **Parar** y **5** al mismo tiempo.

**Nota:** Consulte la tabla del panel inferior del Flash Start si necesita recordar cómo entrar a este modo. Como alternativa, puede descargar esta tabla accediendo a la pestaña **Downloads** (Descargas) de la página del producto del controlador remoto Flash Start en [denonpro.com](http://denonpro.com).

2. Seleccione la pista que desea reproducir pulsando el **botón numérico** correspondiente al número de inicio rápido asignado a la pista. La pista comenzará a reproducirse. El **botón numérico** correspondiente al número de inicio rápido permanecerá iluminado mientras la pista se reproduce.

#### Selección de una pista para su reproducción mediante número de pista

Cómo seleccionar y reproducir pistas mediante número de pista:

1. Entra **Modo de medios de pista** pulsando los botones **Parar** y **6** al mismo tiempo.

**Nota:** Consulte la tabla del panel inferior del Flash Start si necesita recordar cómo entrar a este modo. Como alternativa, puede descargar esta tabla accediendo a la pestaña **Downloads** (Descargas) de la página del producto del controlador remoto Flash Start en [denonpro.com](http://denonpro.com).

2. Seleccione la pista pulsando el **botón numérico** correspondiente al número de pista del archivo que desea reproducir. La pista entonces se colocará en cue para la reproducción y el **botón numérico** quedará iluminado.
3. Pulse el **botón de reproducción** para iniciar la reproducción. El **botón numérico** correspondiente al número de pista se iluminará.

#### Como poner en pausa y cue, y detener pistas

Para poner una pista en pausa durante su reproducción, pulse el **botón de pausa**.

Para parar una pista en el DN-500CB o PMD-526C, pulse el **botón de parada/cue**.

Para parar o poner en cue una pista en el DN-700CB, DN-501C, DN-700C, DN-500R, DN-700R o DN-900R, pulse el **botón de parada/cue**. El funcionamiento exacto este botón dependerá del ajuste del **modo de finalización** de su dispositivo de medios:

- Si el modo de finalización se ajusta a Stop (Parar), al pulsar el **botón de parada/cue** se detendrá la reproducción.
- Si el modo de finalización se ajusta a Next (Siguiendo), al pulsar el **botón de parada/cue** se pondrá en cue a la próxima pista de la lista.
- Si el modo de finalización se ajusta a Recue (Regresar a cue), al pulsar el **botón de parada/cue** se volverá a poner en cue a la pista en el instante desde el cual se inició la última reproducción.

Cuando una pista está en cue, el **botón numérico** correspondiente a dicha pista se iluminará.

Para iniciar la reproducción de una pista en pausa o cue, pulse el **botón de reproducción**.

## Desplazamientos por una pista

**Para rebobinar o hacer un avance rápido a través de la pista actual en un DN-500CB, DN-700CB o PMD-526C**, pulse el **botón de rebobinado** o **avance rápido**. El dispositivo de medios recorrerá la pista a 30 veces la velocidad de reproducción normal y una segunda pulsación del **botón de rebobinado** o **avance rápido** reanudará la reproducción normal.

**Para detener el rebobinado o avance rápido en el instante actual de la pista en un DN-500CB, DN-700CB, o PMD-526C**, pulse el **botón de reproducción** o **pausa**, o pulse nuevamente el **botón de rebobinar** o **avance rápido**.

**Para rebobinar o hacer un avance rápido a través de la pista actual en un DN-501C, DN-700C, DN-500R, DN-700R, o DN-900R**, pulse el **botón de rebobinado** o **avance rápido**. Con cada pulsación del botón, el dispositivo de medios alternará por las siguientes velocidades de búsqueda: 2, 10, 50, 100, 200 veces la velocidad de reproducción normal.

**Para detener el rebobinado o avance rápido en el instante actual de la pista en un DN-501C, DN-700C, DN-500R, DN-700R o DN-900R** pulse el **botón de reproducción** o **pausa**.

## Observación del LED EOM

El **LED EOM** es una luz de advertencia que se encenderá cuando la pista que se está reproduciendo actualmente está casi llegando a su fin. La luz se apagará una vez que la pista se termina.

En el **DN-500CB, DN-700CB y PMD-526C**, el **LED EOM** no tendrá función.

En el **DN-501C, DN-700C, DN-500R, DN-700R y DN-900R**, la cantidad de tiempo que el **LED EOM** se encenderá antes del final de la pista actual dependerá del ajuste "**End of Message**" (fin del mensaje) configurado en el menú de ajustes del dispositivo de medios.

## Grabación (DN-500R, DN-700R y DN-900R solamente)

**Para comenzar la grabación**, pulse el **botón de grabación**. La cantidad de veces que tiene que pulsar el botón dependerá de si esta activada o no la **One Touch Recording** (grabación de un solo toque) en el dispositivo que está conectado a su remoto:

- Si la grabación a un solo toque está **desactivada**, pulse el **botón de grabación** del control remoto una vez para entrar en modo de grabación y púlselo nuevamente para comenzar a grabar. Se creará un nuevo archivo para su grabación.
- Si la grabación de un solo toque está **activada** en los ajustes de su dispositivo, pulse este botón una vez para comenzar a grabar. Se creará un nuevo archivo para su grabación.

Durante la grabación, el **botón de grabación** quedará iluminado.

**Para crear otro archivo nuevo durante la grabación**, pulse el **botón de grabación**. La grabación continuará, pero se dividirá entre el archivo anterior y el archivo nuevo.

**Para hacer una pausa en la grabación**, pulse el **botón Pausa**. Cuando la grabación está en pausa, el **botón de grabación** parpadeará. Una vez puesta en pausa la grabación, puede continuar grabando pulsando el **botón de grabación**, el cual reanudará el mismo archivo desde el punto en el cual se puso en pausa.

**Para detener la grabación**, pulse el **botón de parada**. Una vez que haya pulsado el **botón de parada**, el último archivo grabado se pondrá en cue desde el principio.



## Cómo utilizar el Flash Start con un ordenador

### Activación del control del USB

Para activar el control USB de su aplicación informática a través del Flash Start, coloque el control remoto en modo de control de aplicaciones pulsando la combinación de botones designada:

- **Groove Music o Windows Media Player:** pulse los **botones de parada y 1** al mismo tiempo.
- **Apple Music o iTunes en un ordenador Mac:** pulse los **botones de parada y 2** al mismo tiempo.
- **Apple Music o iTunes en un ordenador con Windows:** pulse los **botones de parada y 3** al mismo tiempo.
- **YouTube:** pulse los **botones de parada y 4** al mismo tiempo.

**Nota:** Puede consultar la tabla impresa en el panel inferior del Flash Start si necesita recordar cómo entrar a los modos o para consultar la lista de las funciones de cada uno de los botones al controlar cada aplicación informática. Como alternativa, puede descargar esta tabla accediendo a la pestaña **Downloads** (Descargas) de la página del producto del controlador remoto Flash Start en [denonpro.com](http://denonpro.com).

### Cómo reproducir, seleccionar y buscar archivos en Groove Music, Windows Media Player, Apple Music o iTunes

Para reproducir o poner en pausa el archivo actual, pulse el botón de reproducción o pausa.

Para detener el archivo actual, pulse el botón de parada.

**Nota:** Este control no aplica si está utilizando Groove Music.

Para pasar a la pista anterior o siguiente, pulse el botón de pista anterior o siguiente.

Para rebobinar el archivo actual, pulse el botón de rebobinado.

**Nota:** Este control no aplica si está utilizando Groove Music o Apple Music en un ordenador Mac o iTunes en un ordenador Mac. Si está utilizando Windows Media Player, Este control sólo funcionará con archivos de vídeo.

Para hacer un avance rápido por el archivo actual, pulse el botón de avance rápido.

**Nota:** Este control no aplica si está utilizando Groove Music o Apple Music en un ordenador Mac o iTunes en un ordenador Mac.

Para detener el rebobinado o avance rápido, pulse el botón de reproducción o pausa.

Para encender o apagar la repetición (**Windows Media Player y Groove Music solamente**), pulse el botón 10.

Para encender o apagar la reproducción aleatoria, pulse el botón 20.

**Nota:** Este control no aplica si está utilizando Apple Music o iTunes.

### Reproducción y búsqueda de vídeos de YouTube

Para reproducir o poner en pausa un vídeo, pulse el botón de reproducción o pausa.

Para detener el vídeo abierto, pulse el botón de parada.

Para volver cinco segundos hacia atrás en el vídeo abierto, pulse el botón 14.

Para saltar cinco segundos hacia adelante en el vídeo abierto, pulse el botón 15.

### Como controlar el nivel de volumen

Para subir el volumen de su aplicación, pulse el botón 1.

Para bajar el volumen de su aplicación, pulse el botón 11.

Para silenciar su aplicación, pulse el botón de grabación.

**Nota:** Este control no aplica si está utilizando Apple Music o iTunes en un ordenador Mac.

## Salir del control USB

Si desea salir del control USB para poder usar Flash Start para controlar un dispositivo de medio de Denon o Marantz Professional, pulse los botones **Parar** y **11** al mismo tiempo. Después de hacer esto, asegúrese de pulsar los botones de **rebobinado** y **avance rápido** al mismo tiempo para activar que Flash Start controle su dispositivo de medio.

## Guide d'utilisation (Français)

### Introduction

Merci d'avoir fait l'acquisition du Flash Start Remote Controller. Chez Denon Professional, la performance et la fiabilité sont aussi importantes pour nous qu'ils le sont pour vous. C'est pourquoi nous concevons nos produits avec une seule chose en tête — faire de votre performance la meilleure qui soit.

### Contenu de la boîte

Flash Start Remote Controller

Câble RS-232C (D-sub à 9 broches)

Câble USB

Guide d'utilisation

Consignes de sécurité et informations concernant la garantie

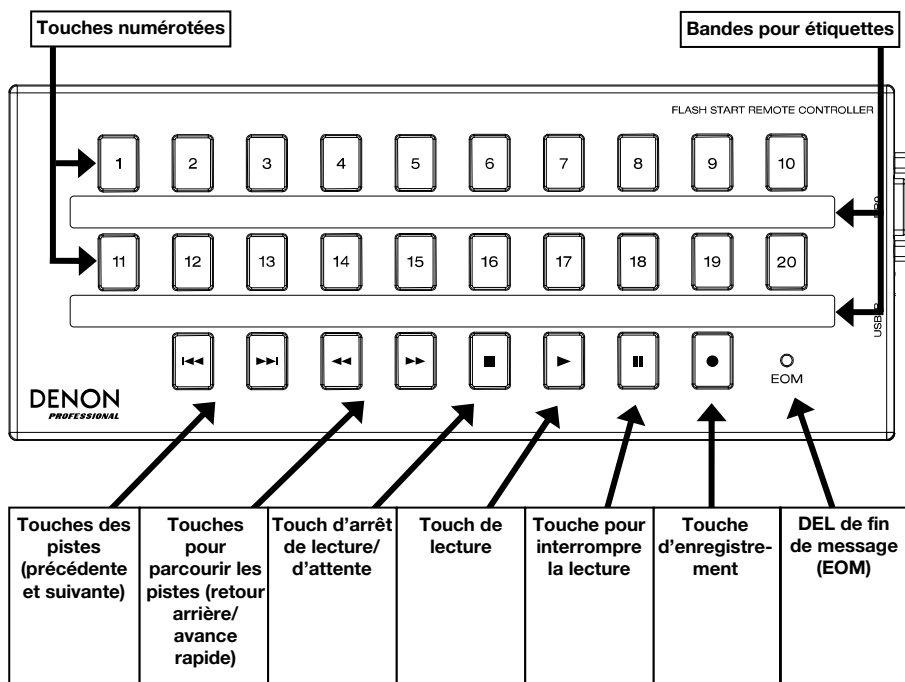
### Assistance

Pour les toutes dernières informations concernant la documentation, les spécifications techniques, la configuration requise, la compatibilité et l'enregistrement du produit, veuillez visiter [denonpro.com](https://denonpro.com).

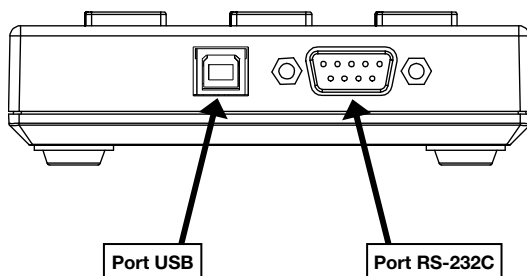
Pour de l'assistance supplémentaire, veuillez visiter le site [denonpro.com/support](https://denonpro.com/support).

## Caractéristiques

### Panneau supérieur



### Panneau latéral



## Démarrage

Le contrôleur distant Flash Start est conçu pour être connecté à l'un des appareils multimédia Denon ou Marantz Professional sélectionnés. Lorsque le contrôleur distant Flash Start et votre appareil multimédia sont connectés, vous pouvez faire fonctionner l'appareil via les touches du Flash Start.

Vous pouvez également connecter le contrôleur distant Flash Start à votre ordinateur. Une fois connecté à votre ordinateur, vous pouvez utiliser le contrôleur distant Flash Start pour faire fonctionner les applications Groove Music, Windows Media Player, Apple Music, iTunes et YouTube.

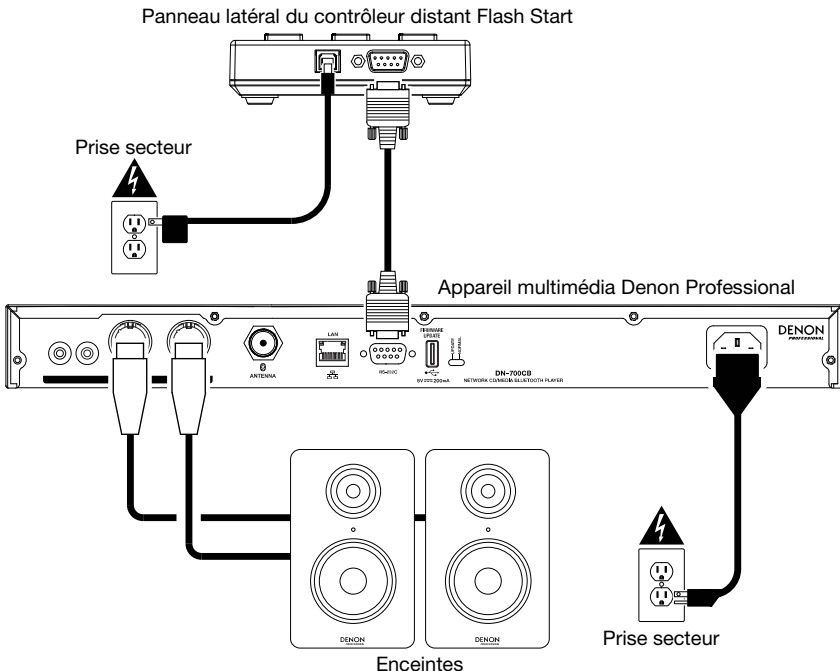
**Remarque :** Les touches du contrôleur distant Flash Start fonctionnent différemment selon l'appareil auquel il est connecté. Veuillez consulter la section **Fonctionnement** pour mieux comprendre comment le contrôleur distant Flash Start fonctionnera plus précisément avec votre appareil ou application. Veuillez consulter l'**Appendix (English)** pour obtenir une liste des appareils multimédias Denon et Marantz Professional avec lesquels le contrôleur distant Flash Start est compatible.

## Exemple 1 (commander un appareil multimédia Denon ou Marantz Professional)

**Pour configurer le contrôleur distant Flash Start afin de commander un appareil multimédia Denon ou Marantz Professional :**

1. Branchez le câble RS-232C fourni (D-sub à 9 broches) au **port RS-232C** du contrôleur distant Flash Start puis au port RS-232C de votre appareil multimédia. C'est la connexion par laquelle le contrôleur distant Flash Start commandera votre appareil multimédia.
2. Branchez le câble USB fourni à une source d'alimentation secteur afin d'alimenter le contrôleur distant Flash Start. Branchez l'extrémité USB-B du câble dans le **port USB** du contrôleur distant Flash Start et l'extrémité USB-A du câble dans le port USB de votre appareil multimédia, d'un ordinateur ou dans un adaptateur d'alimentation USB (CC 5 V non fourni).
3. Mettez votre appareil multimédia sous tension.

## Schéma de connexion



## Réglage du débit en bauds

Afin que le contrôleur distant Flash Start puisse commander un appareil multimédia Denon ou Marantz Professional, le débit en bauds du Flash Start doit être le même que celui de l'appareil. Veuillez consulter l'[Appendix \(English\)](#) pour voir les débits en bauds disponibles pour chacun des appareils multimédia Denon et Marantz Professional compatibles avec le contrôleur distant Flash Start.

**Pour définir le débit en bauds du Flash Start sur 9600 b/s**, appuyez sur la **touche d'avance rapide** et la **touche 1** en même temps.

**Pour définir le débit en bauds du Flash Start sur 38 400 b/s**, appuyez sur la **touche d'avance rapide** et la **touche 2** en même temps.

**Pour définir le débit en bauds du Flash Start sur 115 200 b/s**, appuyez sur la **touche d'avance rapide** et la **touche 3** en même temps.

**Remarque :** Veuillez consulter les instructions de base sur l'aide-mémoire situé sur le dessous du Flash Start pour savoir comment modifier le débit en bauds. Vous pouvez également télécharger ce tableau en allant sur l'onglet **Downloads** de la page produit du contrôleur distant Flash Start sur le site [denonpro.com](http://denonpro.com).

**Remarque :** Si le débit en bauds est correctement défini et que votre appareil multimédia ne reçoit aucune commande du Flash Start, les DEL du contrôleur distant clignoteront trois fois. Après avoir cligné trois fois, attendez une seconde, puis réappuyez sur la touche sur laquelle vous avez appuyé.

## Exemple 2 (commander une application sur ordinateur)

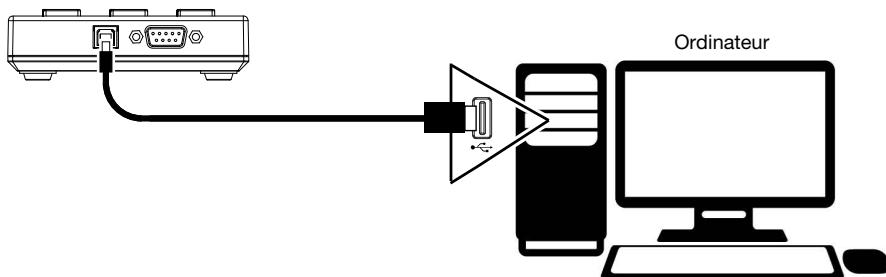
**Pour configurer le contrôleur distant Flash Start afin de commander une application sur ordinateur :**

1. Utilisez le câble USB fourni pour brancher le Flash Start à un ordinateur. Branchez l'extrémité USB-B du câble dans le port USB du Flash Start et l'extrémité USB-A du câble dans le port USB d'un ordinateur. C'est la connexion par laquelle le Flash Start commandera l'application sur l'ordinateur et par laquelle le Flash Start sera alimenté.
2. Mettez l'ordinateur sous tension et ouvrez l'application que vous souhaitez contrôler (Groove Music, Windows Media Player, Apple Music, iTunes ou YouTube).

**Remarque :** Lorsque le contrôleur distant Flash Start est reconnu par votre ordinateur, il s'affiche en tant que disque externe. Cependant, le Flash Start ne peut pas être utilisé pour sauvegarder des fichiers.

## Schéma de connexion

Panneau latéral du contrôleur distant Flash Start



## Fonctionnement

### Utilisation du Flash Start avec un appareil multimédia Denon ou Marantz Professional

#### Activation du contrôle de votre appareil multimédia

Pour permettre à Flash Start de contrôler votre appareil multimédia, appuyez sur les boutons **Retour arrière** et **Avance rapide** en même temps.

**Remarque** : Si Flash Start est actuellement configuré pour contrôler une application sur ordinateur, vous devez appuyer sur les touches **d'arrêt de lecture** et **11** en même temps pour passer du contrôle USB au contrôle RS-232C. Après cela, appuyez sur les boutons Retour rapide et Avance rapide en même temps pour permettre à Flash Start de contrôler votre appareil multimédia.

#### Lancement de la lecture Hot Start

Pour faire la lecture de pistes Hot Start :

1. Entrez en mode Hot Start en appuyant simultanément sur les touches **d'arrêt de lecture** et **5**.

**Remarque** : Veuillez consulter l'aide-mémoire situé sur le dessous du Flash Start pour savoir comment accéder à ce mode. Vous pouvez également télécharger ce tableau en allant sur l'onglet **Downloads** de la page produit du contrôleur distant Flash Start sur le site [denonpro.com](http://denonpro.com).

2. Sélectionnez la piste que vous souhaitez lire en appuyant sur la **touche numérique** correspondant au numéro Hot Start assigné à la piste. La lecture de la piste commencera. La **touche numérique** correspondant au numéro Hot Start reste allumée pendant la lecture de la piste.

#### Sélection d'une piste par numéro de piste

Pour sélectionner et lire des pistes par numéro de piste :

1. Entrez en mode Media Track en appuyant simultanément sur les touches **d'arrêt de lecture** et **6**.

**Remarque** : Veuillez consulter l'aide-mémoire situé sur le dessous du Flash Start pour savoir comment accéder à ce mode. Vous pouvez également télécharger ce tableau en allant sur l'onglet **Downloads** de la page produit du contrôleur distant Flash Start sur le site [denonpro.com](http://denonpro.com).

2. Sélectionnez la piste que vous souhaitez lire en appuyant sur la **touche numérique** correspondant au numéro de la piste. La piste sera ensuite mise en attente pour la lecture et la **touche numérique** sera allumée.
3. Appuyez sur la **touche de lecture** afin de lancer la lecture. La **touche numérique** correspondante reste allumée pendant la lecture de la piste.

#### Interrompre, mettre en attente et arrêter des pistes

Pour interrompre la lecture d'une piste durant la lecture, appuyez sur la **touche pour interrompre la lecture**.

Pour arrêter la lecture d'une piste sur le DN-500CB ou le PMD-526C, appuyez sur la **touche d'arrêt de lecture/d'attente**.

Pour arrêter la lecture d'une piste ou la mettre en attente sur le DN-700CB, DN-501C, DN-700C, DN-500R, DN-700R ou le DN-900R, appuyez sur la **touche d'arrêt de lecture/d'attente**. La fonction exacte de cette touche dépend du réglage du **mode d'arrêt** de l'appareil multimédia :

- Si le mode d'arrêt est réglé sur Stop, appuyer sur la **touche d'arrêt de lecture/d'attente** arrête la lecture de la piste.
- Si le mode d'arrêt est réglé sur Next, appuyer sur la **touche d'arrêt de lecture/d'attente** met la piste suivante en attente.
- Si le mode d'arrêt est réglé sur Recue, appuyer sur la **touche d'arrêt de lecture/d'attente** met la piste en attente au même endroit d'où la lecture a été lancée la dernière fois.

Lorsqu'une piste est mise en attente, la **touche numérique** correspondant à la piste est allumée.

Pour lancer la lecture d'une piste interrompue ou en attente, appuyez sur la **touche de lecture**.

## Parcourir les pistes

**Pour revenir en arrière ou avancer rapidement dans la piste en cours sur les modèles DN-500CB, DN-700CB et PMD-526C**, appuyez sur la **touche de retour arrière** ou **d'avance rapide**. L'appareil multimédia recherchera dans la piste à une vitesse 30 fois supérieure à la vitesse de lecture normale. Appuyer de nouveau sur la **touche de retour arrière** ou **d'avance rapide** permet de reprendre la lecture normale.

**Pour arrêter la recherche arrière ou avant sur la piste en cours sur les modèles DN-500CB, DN-700CB et PMD-526C**, appuyez sur la **touche de lecture**, la **touche pour interrompre la lecture** ou appuyez une deuxième fois sur la **touche de retour arrière** ou **d'avance rapide**.

**Pour revenir en arrière ou avancer rapidement dans la piste en cours sur les modèles DN-501C, DN-700C, DN-500R, DN-700R et DN-900R**, appuyez sur la **touche de retour arrière** ou **d'avance rapide**. À chaque pression sur la touche, l'appareil multimédia fait défiler les vitesses de recherche : 2X, 10X, 50X, 100X et 200X la vitesse de lecture normale.

**Pour arrêter la recherche arrière ou avant sur la piste en cours sur les modèles DN-501C, DN-700C, DN-500R, DN-700R et DN-900R**, appuyez sur la **touche de lecture** ou la **touche pour interrompre la lecture**.

## DEL EOM

La **DEL EOM** est un voyant qui s'allume lorsque la piste en cours de lecture est presque terminée. L'indicateur s'éteint une fois la piste terminée.

Sur les modèles **DN-500CB, DN-700CB et PMD-526C**, la **DEL EOM** n'aura aucune fonction.

Sur les modèles **DN-501C, DN-700C, DN-500R, DN-700R et DN-900R**, la durée pendant laquelle la **DEL EOM** s'allume avant la fin de la piste en cours dépend du paramètre de **fin de message** configuré dans le menu des paramètres de l'appareil multimédia.

## Enregistrement (DN-500R, DN-700R et DN-900R uniquement)

**Pour lancer l'enregistrement**, appuyez sur la **touche d'enregistrement**. Le nombre de fois où vous devez appuyer sur la touche dépend si la fonction **d'enregistrement à une touche** a été activée sur l'appareil connecté au contrôleur distant :

- Si la fonction **d'enregistrement à une touche** est **désactivée**, appuyez une fois sur la touche d'enregistrement du contrôleur distant afin de passer en mode enregistrement, puis appuyez de nouveau pour lancer l'enregistrement. Un nouveau fichier sera créé pour votre enregistrement.
- Si la fonction **d'enregistrement à une touche** est **activée** dans les paramètres de l'appareil, appuyez une fois sur cette touche pour lancer l'enregistrement. Un nouveau fichier sera créé pour votre enregistrement.

Durant l'enregistrement, la touche d'enregistrement est allumée.

**Pour créer un autre nouveau fichier pendant l'enregistrement**, appuyez sur la **touche d'enregistrement**. L'enregistrement se poursuivra, mais il sera divisé entre le fichier précédent et le nouveau fichier.

**Pour interrompre l'enregistrement en cours**, appuyez sur la **touche pour interrompre la lecture**. Lorsqu'un enregistrement est interrompu, la **touche d'enregistrement** clignote. Vous pouvez reprendre l'enregistrement en appuyant sur la **touche d'enregistrement**, qui reprendra le même fichier à partir du point où il a été interrompu.

**Pour arrêter l'enregistrement**, appuyez sur la **touche d'arrêt de lecture**. Après avoir appuyé sur la **touche d'arrêt de lecture**, le dernier fichier enregistré sera mis en attente depuis le début.



## Utilisation du Flash Start avec un ordinateur

### Utilisation du protocole USB

Afin de permettre au Flash Start de commander l'application sur votre ordinateur via le protocole USB, le contrôleur distant doit être dans le mode correspondant :

- **Groove Music ou Windows Media Player** : Appuyez sur la **touche d'arrêt de lecture** et la **touche 1** en même temps.
- **Apple Music ou iTunes sur un ordinateur Mac** : Appuyez sur la **touche d'arrêt de lecture** et la **touche 2** en même temps.
- **Apple Music ou iTunes sur un ordinateur Windows** : Appuyez sur la **touche d'arrêt de lecture** et la **touche 3** en même temps.
- **YouTube** : Appuyez sur la **touche d'arrêt de lecture** et la **touche 4** en même temps.

**Remarque** : Vous pouvez consulter l'aide-mémoire situé sur le dessous du Flash Start pour savoir comment accéder à ces modes et pour obtenir une liste des fonctions de chaque touche pour commander chacune des applications. Vous pouvez également télécharger l'aide-mémoire en allant sur l'onglet **Downloads** de la page produit du contrôleur distant Flash Start sur le site [denonpro.com](http://denonpro.com).

### Faire la lecture, la sélection et la recherche de fichiers dans Groove Music, Windows Media Player, Apple Music et iTunes

Pour lancer la lecture ou interrompre la lecture du fichier en cours, appuyez sur la **touche de lecture** ou la **touche pour interrompre la lecture**.

Pour arrêter la lecture du fichier en cours, appuyez sur la **touche d'arrêt de lecture**.

**Remarque** : Cette commande ne s'applique pas si vous utilisez Groove Music.

Pour sauter au fichier précédent ou suivant, appuyez sur la **touche précédente** ou **suivante**.

Pour revenir en arrière sur le fichier sélectionné, appuyez sur la **touche de retour arrière**.

**Remarque** : Cette commande ne s'applique pas si vous utilisez Groove Music, Apple Music ou iTunes sur un ordinateur Mac. Si vous utilisez Windows Media Player, cette commande ne fonctionnera qu'avec les fichiers vidéo.

Pour faire avancer rapidement le fichier en cours, appuyez sur la **touche d'avance rapide**.

**Remarque** : Cette commande ne s'applique pas si vous utilisez Groove Music, Apple Music ou iTunes sur un ordinateur Mac.

Pour arrêter la recherche arrière ou avant, appuyez sur la **touche de lecture** ou la **touche pour interrompre la lecture**.

Pour activer/désactiver la répétition (Windows Media Player et Groove Music uniquement), appuyez sur la **touche 10**.

Pour activer/désactiver la lecture aléatoire, appuyez sur la **touche 20**.

**Remarque** : Cette commande ne s'applique pas si vous utilisez Apple Music ou iTunes.

### Faire la lecture et la recherche de vidéos dans YouTube

Pour lancer la lecture ou interrompre la lecture de la vidéo en cours, appuyez sur la **touche de lecture** ou la **touche pour interrompre la lecture**.

Pour arrêter la lecture de la vidéo en cours, appuyez sur la **touche d'arrêt de lecture**.

Pour revenir cinq secondes en arrière dans la vidéo en cours, appuyez sur la **touche 14**.

Pour avancer cinq secondes dans la vidéo en cours, appuyez sur la **touche 15**.

### Modifier le niveau du volume

Pour augmenter le volume de votre application, appuyez sur la **touche 1**.

Pour diminuer le volume de votre application, appuyez sur la **touche 11**.

Pour mettre en sourdine votre application, appuyez sur la **touche d'enregistrement**.

**Remarque** : Cette commande ne s'applique pas si vous utilisez Apple Music ou iTunes sur un ordinateur Mac.

## Sortie du contrôle USB

Si vous souhaitez quitter le contrôle USB afin de pouvoir utiliser Flash Start pour contrôler un appareil multimédia de Denon ou Marantz Professional, appuyez sur les **touches d'arrêt de lecture** et **11** en même temps. Cela fait, assurez-vous d'appuyer sur les boutons **Retour arrière** et **Avance rapide** en même temps afin de permettre à Flash Start de contrôler votre appareil multimédia.

## Guida per l'uso (Italiano)

### Introduzione

Grazie per aver acquistato il Flash Start Remote Controller. Per noi di Denon Professional, prestazioni e affidabilità contano moltissimo, proprio come per te. Ecco perché progettiamo i nostri dispositivi con un unico obiettivo in mente: rendere le tue prestazioni le migliori possibili.

### Contenuti della confezione

Flash Start Remote Controller

Cavo RS-232C (9-pin D-sub)

Cavo USB

Guida per l'uso

Istruzioni di sicurezza e garanzia

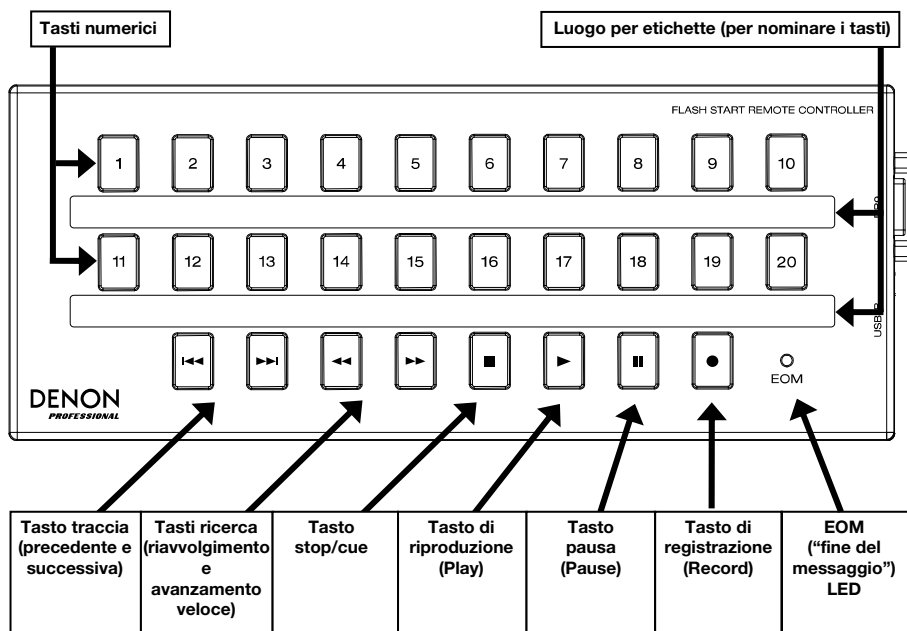
### Assistenza

Per le ultime informazioni in merito a questo prodotto (documentazione, specifiche tecniche, requisiti di sistema, informazioni sulla compatibilità, ecc.) e per effettuarne la registrazione, recarsi alla pagina [denonpro.com](http://denonpro.com).

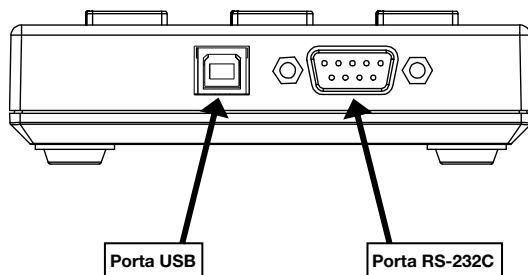
Per ulteriore assistenza sul prodotto, recarsi alla pagina [denonpro.com/support](http://denonpro.com/support).

## Caratteristiche

### Pannello superiore



### Pannello laterale



## Configurazione

Il telecomando Flash Start è stato concepito per essere collegato a uno di un determinato numero di dispositivi media Denon o Marantz Professional. Quando il Flash Start e il dispositivo media sono collegati, sarà possibile far funzionare il dispositivo tramite i comandi presenti sul Flash Start.

È anche possibile collegare il telecomando Flash Start al computer. Quando è collegato al computer, è anche possibile utilizzare il Flash Start per utilizzare Groove Music, Windows Media Player, Apple Music, iTunes o YouTube.

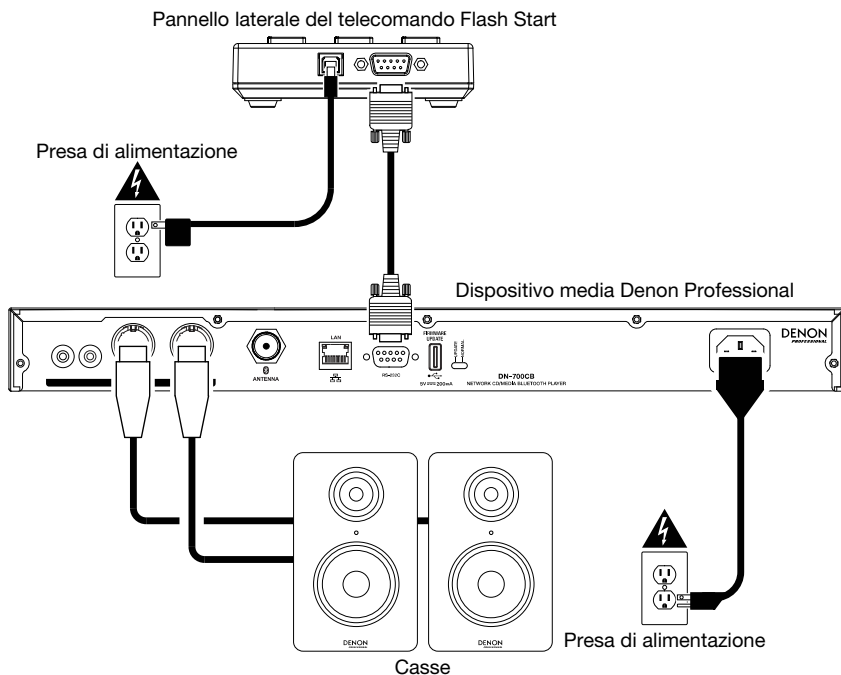
**Nota bene:** i pulsanti presenti sul telecomando Flash Start funzionano in maniera diversa a seconda del dispositivo collegato. Si veda il paragrafo **Operazione** per comprendere meglio in che modo funzionerà specificamente il telecomando con il tuo dispositivo o con l'applicazione del computer. Si veda l'**Appendix (English)** per un elenco di dispositivi media Denon e Marantz Professional cui è compatibile il Flash Start.

### Esempio 1 (controllo di un dispositivo media Denon o Marantz Professional)

**Per configurare il Flash Start per il controllo di un dispositivo media Denon o Marantz Professional:**

1. Collegare il cavo RS-232C in dotazione (9 poli D-sub) alla **PortaRS-232C**. Questa è la connessione tramite la quale il Flash Start controllerà il dispositivo media.
2. Collegare il cavo USB in dotazione a una fonte di alimentazione in modo tale da alimentare il Flash Start. Collegare il capo USB-B del cavo alla **porta USB** del Flash Start e il capo USB-A a una porta USB del dispositivo media, alla porta USB del computer o a un adattatore di alimentazione USB (DC 5V, non in dotazione).
3. Accendere il dispositivo media.

### Schema dei collegamenti



## Impostazione della frequenza di baud

Affinché il Flash Start possa controllare il proprio dispositivo media Denon o Marantz Professional, la frequenza di baud sul Flash Start deve essere impostata in modo che sia uguale alla frequenza di baud sul dispositivo. Consultare l'[Appendix \(English\)](#) per visualizzare le frequenze di baud disponibili su ciascun dispositivo media Denon e Marantz Professional con cui il Flash Start è compatibile.

**Per impostare la frequenza di baud del Flash Start su 9600 b/s**, premere contemporaneamente **Fast-Forward** e **1** tasto.

**Per impostare la frequenza di baud del Flash Start su 38400 b/s**, premere contemporaneamente **Fast-Forward** e **2** tasti.

**Per impostare la frequenza di baud del Flash Start su 115200 b/s**, premere contemporaneamente **Fast-Forward** e **3** tasti.

**Nota bene:** si veda lo schema "Istruzioni base" sul pannello inferiore del Flash Start per un promemoria su come modificare la frequenza di baud. Alternativamente, è possibile scaricare questo schema recandosi alla scheda **Downloads** della pagina prodotto del telecomando Flash Start su [denonpro.com](http://denonpro.com).

**Nota bene:** se la frequenza di baud è impostata bene e il tuo dispositivo media non riceve un comando dal Flash Start, i LED dei pulsanti del telecomando lampeggeranno tre volte. Dopo il terzo lampeggio, attendere un secondo e riprovare il tasto premuto.

## Esempio 2 (controllare un'applicazione del computer)

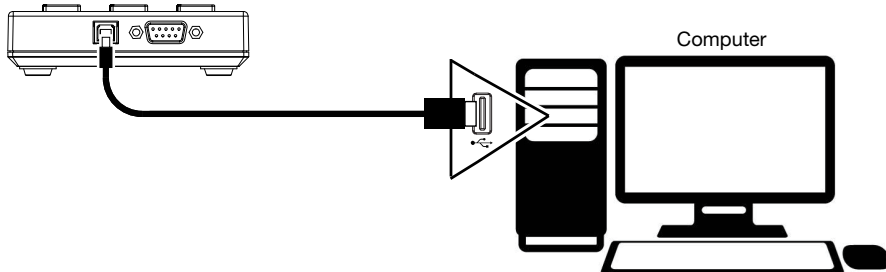
**Per impostare il Flash Start per il controllo di un'applicazione del computer:**

1. Servirsi del cavo USB in dotazione per collegare il Flash Start al computer. Collegare il capo USB-B del cavo alla porta USB del Flash Start e il capo USB-A a una porta USB del computer. Questo è il collegamento tramite il quale il Flash Start controllerà l'applicazione del computer e fornirà l'alimentazione al Flash Start.
2. Accendere il computer e aprire l'applicazione che si desidera controllare (Groove Music, Windows Media Player, Apple Music, iTunes o YouTube).

**Nota bene:** quando Flash Start viene riconosciuto dal computer, sarà montato come un drive disco. Tuttavia, il Flash Start non può essere utilizzato per memorizzare file.

## Schema dei collegamenti

Pannello laterale del telecomando Flash Start



## Operazione

### Utilizzo di Flash Start per il controllo di un dispositivo media Denon o Marantz Professional

#### Abilitazione del controllo del dispositivo multimediale

Per consentire a Flash Start di controllare il dispositivo multimediale, premere contemporaneamente i pulsanti di **Rewind** e **Fast-forward**.

**Nota:** se Flash Start è attualmente impostato per controllare un'applicazione del computer, sarà necessario premere contemporaneamente i pulsanti **Stop** e **11** per passare dal controllo USB al controllo RS-232C. Dopo aver fatto ciò, premere contemporaneamente i pulsanti di **Rewind** e **Fast-forward** per abilitare Flash Start per controllare il dispositivo multimediale.

#### Avviare la riproduzione hot start

##### Per riprodurre tracce hot start:

1. Entra in Modalità Hot Start premendo contemporaneamente i pulsanti **Stop** e **5**.

**Nota bene:** si veda lo schema sul pannello inferiore del Flash Start per un promemoria su come entrare in questa modalità. Alternativamente, è possibile scaricare questo schema recandosi alla scheda **Downloads** della pagina prodotto del telecomando Flash Start su [denonpro.com](http://denonpro.com).

2. Selezionare la traccia che si desidera premendo il **tasto numerico** corrispondente al numero hot start assegnato alla traccia stessa. La traccia inizierà a essere riprodotta. Il **tasto numerico** corrispondente al numero hot start rimarrà illuminato mentre la traccia viene riprodotta.

#### Selezionare una traccia da riprodurre per numero di traccia

##### Per selezionare e riprodurre tracce per numero di traccia:

1. Entra in Modalità media track premendo contemporaneamente i pulsanti **Stop** e **6**.

**Nota bene:** si veda lo schema sul pannello inferiore del Flash Start per un promemoria su come entrare in questa modalità. Alternativamente, è possibile scaricare questo schema recandosi alla scheda **Downloads** della pagina prodotto del telecomando Flash Start su [denonpro.com](http://denonpro.com).

2. Selezionare la traccia premendo il **tasto numerico** corrispondente al numero di traccia del file che si desidera che venga riprodotto. La traccia sarà quindi associata a un punto cue per la riproduzione e il **tasto numerico** sarà illuminato.
3. Premere il **tasto Play** per avviare la riproduzione. Il **tasto numerico** corrispondente rimarrà illuminato mentre la traccia viene riprodotta.

#### Pausa, cueing e interruzione delle tracce

**Per interrompere momentaneamente la riproduzione di una traccia,** premere il tasto **Pause**.

**Per fermare una traccia sul DN-500CB o sul PMD-526C,** premere il **tasto Stop/Cue**.

**Per arrestare o effettuare il cueing di una traccia sul DN-700CB, DN-501C, DN-700C, DN-500R, DN-700R, o DN-900R,** premere il **tasto Stop/Cue**. La funzione precisa di questo tasto dipenderà dall'impostazione della **Finish Mode** del proprio dispositivo media:

- Se la Finish Mode è impostata su Stop, premendo il **tasto Stop/Cue** la riproduzione si interromperà.
- Se la Finish Mode è impostata su Next, premendo il **tasto Stop/Cue** si effettuerà il cueing della traccia successiva nella tracklist.
- Se la Finish Mode è impostata su Recue, premendo il **tasto Stop/Cue** si effettuerà il cueing della posizione della traccia in cui la riproduzione è stata avviata l'ultima volta.

Quando si effettua il cueing di una traccia, il **tasto numerico** corrispondente a tale traccia sarà illuminato.

**Per avviare la riproduzione di una traccia in pausa o in cueing,** premere il **tasto Play**.

## Ricerca lungo le tracce

Per andare indietro o avanzare rapidamente lungo la traccia corrente su un **DN-500CB**, **DN-700CB** o un **PMD-526C**, premere il **tasto rewind** o **fast-forward**. Il dispositivo media cercherà lungo la traccia a 30 volte la velocità di riproduzione normale e premendo una seconda volta il **tasto Rewind** o **Fast-forward** verrà ripresa la riproduzione normale.

Per interrompere il riavvolgimento o l'avanzamento veloce al tempo corrente della traccia su un **DN-500CB**, **DN-700CB**, o **PMD-526C**, premere il **tasto Play**, **tasto Pause** oppure premere il **tasto Rewind** o **Fast-forward** una seconda volta.

Per riavvolgere o avanzare rapidamente lungo la traccia corrente su un **DN-501C**, **DN-700C**, **DN-501C**, **DN-700C** o un **DN-500R**, premere il **tasto rewind** o **fast-forward**. Per ciascuna pressione del tasto, il dispositivo media commuterà tra le seguenti velocità di ricerca: 2X, 10X, 50X, 100X e 200X volte la normale velocità di riproduzione.

Per smettere di riavvolgere o avanzare rapidamente lungo la traccia corrente su un **DN-501C**, **DN-700C**, **DN-500R**, **DN-700R**, or **DN-900R**, premere il **tasto Play** o **Pause**.

## Osservare il LED EOM

Il **LED EOM** è una spia luminosa di avviso che si accende quando la traccia in corso di riproduzione è quasi finita. Una volta finita la traccia, la luce si spegne.

Su **DN-500CB**, **DN-700CB**, e **PMD-526C**, il **LED EOM** non avrà alcuna funzione.

Su **DN-501C**, **DN-700C**, **DN-500R**, **DN-700R**, e **DN-900R**, la quantità di tempo per cui il **LED EOM** sarà acceso prima della fine della traccia corrente dipenderà dall'impostazione **End of Message** configurata nel menu impostazioni del dispositivo media.

## Registrazione (solo DN-500R, DN-700R e DN-900R)

Per avviare la registrazione, premere il **tasto Record**. Il numero di volte in cui occorre premere il tasto dipende dal fatto se **One Touch Recording** sia acceso o spento sul dispositivo collegato al telecomando:

- Se **One Touch Recording** è impostato su **Off**, premere una volta il **tasto Record** sul telecomando per entrare in modalità di registrazione, quindi premerlo di nuovo per avviare la registrazione. Verrà creato un nuovo file per la registrazione.
- Se **One Touch Recording** è impostato su **On** nelle impostazioni del dispositivo, premere questo tasto una volta per avviare la registrazione. Verrà creato un nuovo file per la registrazione.

Durante la registrazione, il **tasto Record** sarà illuminato.

Per creare un altro nuovo file durante la registrazione, premere il **tasto Record**. La registrazione proseguirà, ma sarà divisa tra il file precedente e quello nuovo.

Per interrompere momentaneamente una registrazione in corso, premere il **tasto Pause**. Quando una registrazione è in pausa, il **tasto Record** lampeggerà. Dopo aver interrotto momentaneamente la registrazione, è possibile avviarla nuovamente premendo il **tasto Record**. Così facendo il file riprenderà dal punto in cui era stato interrotto.

Per interrompere la registrazione, premere il **tasto Stop**. Dopo aver premuto **Stop**, l'ultimo file registrato presenterà il cueing dall'inizio.



## Utilizzo del Flash Start con un computer

### Abilitare il controllo USB

Per abilitare il controllo USB di un'applicazione da computer tramite il Flash Start, impostare il telecomando nella modalità di controllo dell'applicazione premendo la combinazione di tasti specifica:

- **Groove Music o Windows Media Player:** premere contemporaneamente i tasti **Stop** e **1**.
- **Apple Music o iTunes su un computer Mac:** premere contemporaneamente i tasti **Stop** e **2**.
- **Apple Music o iTunes su un computer Windows computer:** premere contemporaneamente i tasti **Stop** e **3**.
- **YouTube:** premere contemporaneamente i tasti **Stop** e **4**.

**Nota bene:** è possibile consultare lo schema stampato sul pannello inferiore del Flash Start per sapere come impostare le varie modalità e per vedere un elenco di funzioni di ciascun tasto al momento di controllare ciascuna applicazione da computer. Alternativamente, è possibile scaricare questo schema recandosi alla scheda **Downloads** della pagina prodotto del telecomando Flash Start su [denonpro.com](http://denonpro.com).

### Riproduzione, selezione e ricerca nei file su Groove Music, Windows Media Player, Apple Music o iTunes

Per riprodurre o mettere in pausa il file corrente, premere il tasto **Play** o **Pause**.

Per fermare il file corrente, premere il tasto **Stop**.

**Nota bene:** questo comando non si applica se si utilizza Groove Music.

Per passare al file precedente o successivo, premere il tasto **Previous** o **Next**.

Per riavvolgere il file corrente, premere il tasto **Rewind**.

**Nota bene:** questo comando non si applica se si utilizza Groove Music, Apple Music o iTunes su un computer Mac. Se si utilizza il Windows Media Player, questo comando funzionerà unicamente con file video.

Per far avanzare il file, premere il tasto **Fast-Forward**.

**Nota bene:** questo comando non si applica se si utilizza Groove Music, Apple Music o iTunes su un computer Mac.

Per interrompere il riavvolgimento o l'avanzamento veloce, premere il tasto **Play** o **Pause**.

Per commutare tra **repeat on/off** (solo per **Windows Media Player** e **Groove Music**), premere il tasto **10**.

Per commutare tra **shuffle on/off**, premere il tasto **20**.

**Nota bene:** questo comando non si applica se si utilizza Apple Music o iTunes.

### Riproduzione e ricerca in video YouTube

Per riprodurre o mettere in pausa il video aperto, premere il tasto **Play** o **Pause**.

Per fermare il video aperto, premere il tasto **Stop**.

Per tornare indietro di cinque secondi nel video aperto, premere il tasto **14**.

Per andare avanti di cinque secondi nel video aperto, premere il tasto **15**.

## Controllo del livello del volume

Per alzare il volume nell'applicazione, premere il **tasto 1**.

Per abbassare il volume nell'applicazione, premere il **tasto 11**.

Per silenziare l'applicazione, premere il **tasto Record**.

**Nota bene:** questo comando non si applica se si utilizza Apple Music o iTunes su un computer Mac.

## Uscita dal controllo USB

Se si desidera uscire dal controllo USB in modo da poter utilizzare Flash Start per controllare un dispositivo multimediale Denon o Marantz Professional, premere contemporaneamente i pulsanti **Stop** e **11**. Dopo aver fatto ciò, assicurati di premere contemporaneamente i pulsanti di **Rewind** e **Fast-forward** per abilitare a Flash Start di controllare il dispositivo multimediale.

## Benutzerhandbuch (Deutsch)

### Einführung

Vielen Dank für den Kauf des Flash Start Remote Controller. Bei Denon Professional schätzen wir Leistung und Zuverlässigkeit - genau wie Sie. Darum entwerfen wir unsere Geräte stets nur mit einem einzigen Ziel vor Augen: Ihre Anwendung so gut wie möglich zu unterstützen.

### Lieferumfang

Flash Start Remote Controller

RS-232C-Kabel (9-poliges D-Sub)

USB-Kabel

Benutzerhandbuch

Sicherheitshinweise und Garantieinformationen

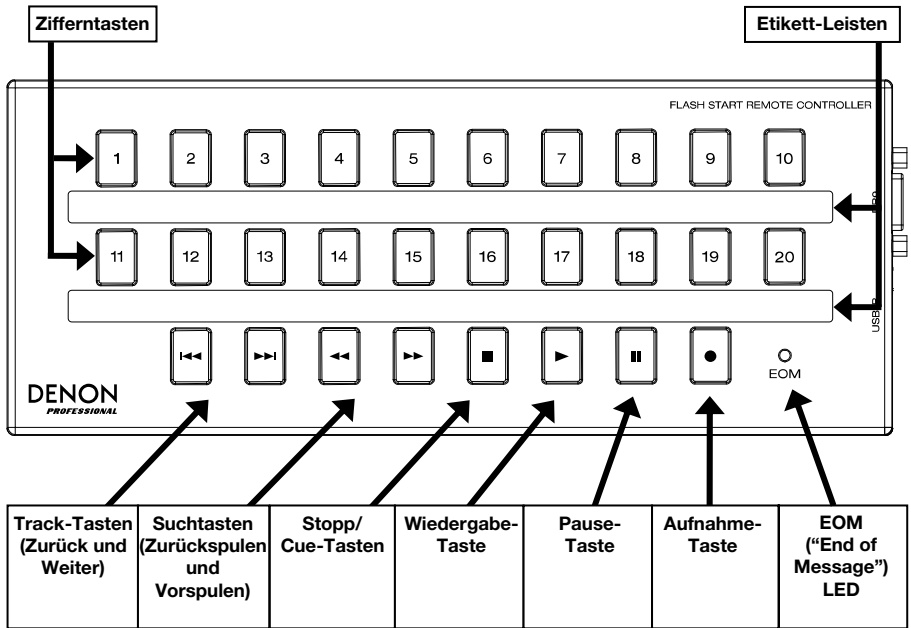
### Kundendienst

Für die neuesten Informationen zu diesem Produkt (Dokumentation, technische Daten, Systemanforderungen, Informationen zur Kompatibilität etc.) und zur Produktregistrierung besuchen Sie [denonpro.com](http://denonpro.com).

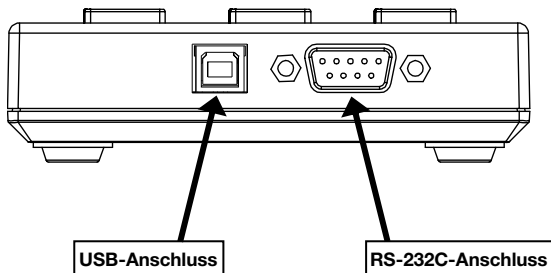
Für zusätzlichen Produkt-Support besuchen Sie [denonpro.com/support](http://denonpro.com/support).

## Funktionen

### Oberseite



### Seitenpanel



## Setup

Die Flash Start-Fernbedienung kann an eine ausgewählte Anzahl von Denon- oder Marantz Professional-Mediengeräten angeschlossen werden. Wenn Flash Start und Ihr Mediengerät verbunden sind, können Sie das Gerät über die Steuerelemente in Flash Start bedienen.

Sie können die Flash Start-Fernbedienung auch an Ihren Computer anschließen. Wenn Sie mit Ihrem Computer verbunden sind, können Sie mit Flash Start Groove Music, Windows Media Player, Apple Music, iTunes oder YouTube bedienen.

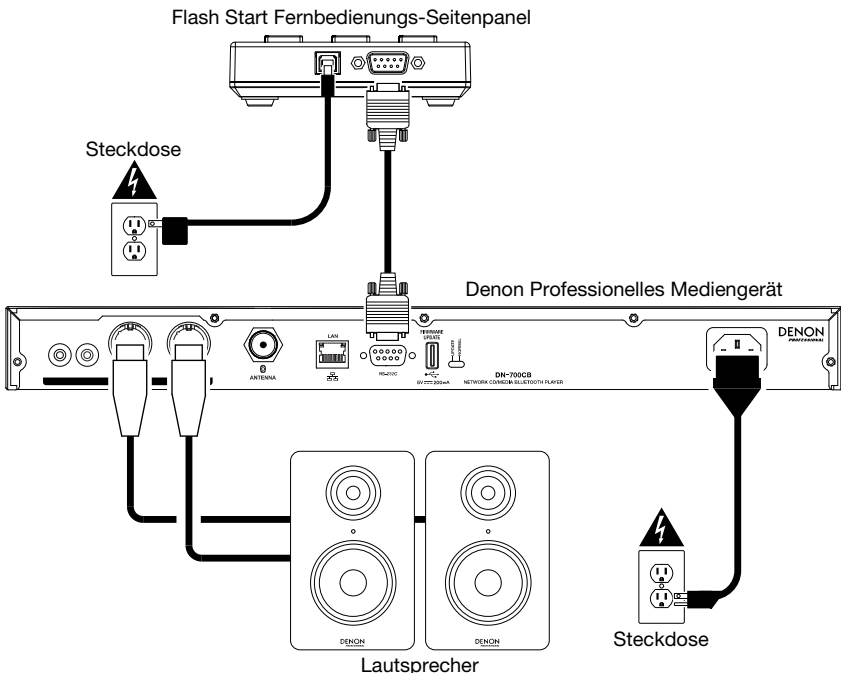
**Hinweis:** Die Tasten auf der Flash Start-Fernbedienung funktionieren unterschiedlich, je nachdem, an welches Gerät die Fernbedienung angeschlossen ist. Lesen Sie den Abschnitt **Betrieb**, um besser zu verstehen, wie die Fernbedienung speziell mit Ihrem Gerät oder Ihrer Computeranwendung funktioniert. Im **Appendix (English)** finden Sie eine Liste der Denon- und Marantz Professional-Mediengeräte, mit denen Flash Start kompatibel ist.

### Beispiel 1 (Steuern eines Denon- oder Marantz Professional-Mediengeräts)

So richten Sie Flash Start zur Steuerung eines Denon- oder Marantz Professional-Mediengeräts ein:

1. Verbinden Sie das mitgelieferte RS-232C-Kabel (9-poliges D-Sub-Kabel) vom **RS-232C-Anschluss** am Flash Start mit dem RS-232C-Anschluss Ihres Mediengeräts. Dies ist die Verbindung, über die Flash Start Ihr Mediengerät steuert.
2. Schließen Sie das mitgelieferte USB-Kabel an eine Stromquelle an, um Flash Start mit Strom zu versorgen. Stecken Sie das Ende des USB-B-Kabels in den Flash Start-**USB-Anschluss** und das Ende des USB-A-Kabel in einen USB-Anschluss Ihres Mediengeräts, einen Computer-USB-Anschluss oder ein USB-Netzteil (DC 5 V, nicht im Lieferumfang enthalten).
3. Schalten Sie Ihr Mediengerät ein.

### Anschlussdiagramm



## Einstellen der Baudrate

Damit Flash Start Ihr Denon- oder Marantz Professional-Mediengerät steuern kann, muss die Baudrate bei Flash Start mit der Baudrate auf dem Gerät identisch sein. Im **Appendix (English)** finden Sie Informationen zu den verfügbaren Baudraten für jedes Denon- und Marantz Professional-Mediengerät, mit dem Flash Start kompatibel ist.

**Um die Baudrate von Flash Start auf 9600 b/s einzustellen**, drücken Sie gleichzeitig die Tasten **Fast-Forward** und **1**.

**Um die Baudrate von Flash Start auf 38400 b/s einzustellen**, drücken Sie gleichzeitig die Tasten **Vorspulen** und **2**.

**Um die Baudrate von Flash Start auf 115200 b/s einzustellen**, drücken Sie gleichzeitig die Tasten **Vorspulen** und **3**.

**Hinweis:** Informationen zum Ändern der Baudrate finden Sie in der Tabelle „Grundlegende Anweisungen“ auf der Unterseite von Flash Start. Sie können diese Tabelle auch herunterladen, indem Sie auf den Abschnitt **Downloads** der Flash Start Fernbedienungsproduktseite auf [denonpro.com](http://denonpro.com) klicken.

**Hinweis:** Wenn die Baudrate richtig eingestellt ist und Ihr Mediengerät keinen Befehl von Flash Start empfängt, blinken die Tasten-LEDs der Fernbedienung dreimal. Warten Sie nach dem dreimaligen Blinken eine Sekunde und versuchen Sie dann den Knopf erneut zu drücken.

## Beispiel 2 (Steuern einer Computeranwendung)

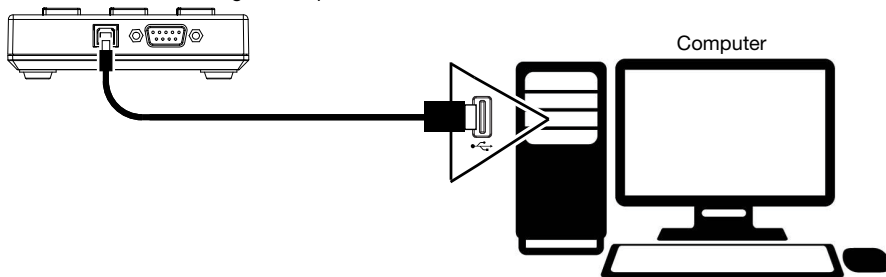
So richten Sie Flash Start zur Steuerung einer Computeranwendung ein:

1. Schließen Sie das mitgelieferte USB-Kabel von Flash Start an Ihren Computer an. Stecken Sie das USB-B-Kabelende in den USB-Anschluss von Flash Start und das USB-A-Kabelende in einen USB-Anschluss Ihres Computers. Dies ist die Verbindung, über die Flash Start Ihre Computeranwendung steuert und Flash Start mit Strom versorgt.
2. Schalten Sie Ihren Computer ein und öffnen Sie die Anwendung, die Sie steuern möchten (Groove Music, Windows Media Player, Apple Music, iTunes oder YouTube).

**Hinweis:** Wenn Flash Start von Ihrem Computer erkannt wird, wird es als Festplattenlaufwerk bereitgestellt. Flash Start kann jedoch nicht zum Speichern von Dateien verwendet werden.

## Anschlussdiagramm

Flash Start Fernbedienungs-Seitenpanel



## Betrieb

### Verwenden des Flash Start mit einem Denon- oder Marantz Professional-Mediengerät

#### Aktivieren der Steuerung Ihres Mediengeräts

Um Flash Start für die Steuerung Ihres Mediengeräts zu aktivieren, drücken Sie gleichzeitig die **Zurückspulen-** und **Vorspulen-**taste.

**Hinweis:** Wenn Flash Start derzeit zur Steuerung einer Computeranwendung eingestellt ist, müssen Sie gleichzeitig die Tasten **Stopp** und **11** drücken, um von der USB-Steuerung zur RS-232C-Steuerung zu wechseln. Drücken Sie anschließend gleichzeitig die Tasten **Zurückspulen** und **Vorspulen**, damit Flash Start Ihr Mediengerät steuern kann.

#### Starten der Hot Start-Wiedergabe

##### So spielen Sie Hot-Start-Tracks ab:

1. Um den Hot Start-Modus zu aktivieren, drücken Sie gleichzeitig die Tasten **Stopp** und **5**.

**Hinweis:** Informationen zum Aufrufen dieser Modus finden Sie in der unteren Tabelle des Flash Start. Sie können diese Tabelle auch herunterladen, indem Sie auf den Abschnitt **Downloads** der Flash Start Fernbedienungsproduktseite auf [denonpro.com](http://denonpro.com) klicken.

2. Wählen Sie den Track aus, den Sie wiedergeben möchten, indem Sie die **Zifferntaste** drücken, die der zugewiesenen Hot-Start-Nummer des Tracks entspricht. Der Track wird dann abgespielt. Die **Zifferntaste**, die der Hot-Start-Nummer entspricht, leuchtet während der Wiedergabe des Tracks hell auf.

#### Auswählen eines Tracks für die Wiedergabe nach Tracknummer

##### So wählen Sie Tracks nach Tracknummer aus und spielen sie ab:

1. Um den Track Start-Modus zu aktivieren, drücken Sie gleichzeitig die Tasten **Stopp** und **6**.

**Hinweis:** Informationen zum Aufrufen dieser Modus finden Sie in der unteren Tabelle des Flash Start. Sie können diese Tabelle auch herunterladen, indem Sie auf den Abschnitt **Downloads** der Flash Start Fernbedienungsproduktseite auf [denonpro.com](http://denonpro.com) klicken.

2. Wählen Sie den Track aus, den Sie wiedergeben möchten, indem Sie die **Zifferntaste** drücken, die der zugewiesenen Tracknummer der gewünschten Datei entspricht. Der Track wird dann für die Wiedergabe ausgewählt und die **Zifferntaste** leuchtet hell auf.
3. Drücken Sie die **Wiedergabetaste**, um die Wiedergabe zu starten. Die entsprechende **Zifferntaste**, leuchtet während der Wiedergabe des Tracks weiterhin hell auf.

#### Pausieren, Cueing, Stoppen von Tracks

Um einen Track während der Wiedergabe **anzuhalten**, drücken Sie die **Pause-Taste**.

**Drücken Sie die Stopp/Cue-Taste**, um einen Track auf dem DN-500CB oder PMD-526C anzuhalten.

**Um einen Track auf dem DN-700CB, DN-501C, DN-700C, DN-500R, DN-700R oder DN-900R anzuhalten oder vorzuhören**, drücken Sie die **Stop/Cue-Taste**. Die genaue Funktion dieser Taste hängt von der **Endmodus**-Einstellung Ihres Mediengeräts ab:

- Wenn der Endmodus auf Stop eingestellt ist, wird die Wiedergabe durch Drücken der **Stopp/Cue-Taste** gestoppt.
- Wenn der Endmodus auf Next (Weiter) eingestellt ist, wird durch Drücken der **Stopp/Cue-Taste** der nächste Track in der Trackliste aufgerufen.
- Wenn der Endmodus auf Recue eingestellt ist, wird durch Drücken der **Stopp/Cue-Taste** die Trackposition aufgerufen, von der aus die Wiedergabe zuletzt gestartet wurde.

Wenn ein Track vorgespeichert ist, leuchtet die entsprechende **Zifferntaste** des Cue-Tracks hell auf.

**Um die Wiedergabe eines angehaltenen oder Cue-Tracks zu starten**, drücken Sie die **Wiedergabetaste**.

## Tracks durchsuchen

Um den aktuellen Track auf einem DN-500CB, DN-700CB oder PMD-526C zurückzuspulen oder vorzuspulen, drücken Sie die Taste zum **Zurückspulen** oder **Vorspulen**. Das Media-Gerät durchsucht den Track mit der 30-fachen Wiedergabegeschwindigkeit. Ein erneutes Drücken der **Zurückspulen** oder **Vorspulen** setzt die normale Wiedergabe fort.

Um das Zurückspulen oder Vorspulen bei einem DN-500CB, DN-700CB oder PMD-526C um die aktuelle Trackzeit zu beenden, drücken Sie die Taste **Wiedergabe**, **Pause** oder drücken die Taste **Zurückspulen** oder **Vorspulen** erneut.

Um den aktuellen Track auf einem DN-501C, DN-700C, DN-500R, DN-700R oder DN-900R zurückzuspulen oder vorzuspulen, drücken Sie die Taste **Zurückspulen** oder **Vorspulen**. Bei jedem Drücken der Taste schaltet das Mediengerät durch die Suchgeschwindigkeiten: 2X, 10X, 50X, 100X und 200X der normalen Wiedergabegeschwindigkeit.

Um das Zurück- oder Vorspulen bei einem DN-501C, DN-700C, DN-500R, DN-700R oder DN-900R zur aktuellen Trackzeit zu beenden, drücken Sie die Taste **Wiedergabe** oder **Pause**.

## Überwachen der EOM-LED

Die **EOM-LED** ist eine Warnleuchte, die aufleuchtet, wenn der aktuell wiedergegebene Track fast fertig ist. Das Licht erlischt dann, sobald der Track endet.

Beim DN-500CB, DN-700CB und PMD-526C die **EOM-LED** hat keine Funktion.

Beim DN-501C, DN-700C, DN-500R, DN-700R und DN-900R hängt die Zeitspanne, in der die **EOM-LED** vor Ende des aktuellen Tracks aufleuchtet, von der Einstellung "**Nachrichtenende**" ab, die im Einstellungs Menü des Mediengeräts konfiguriert wurde.

## Aufnahme (nur DN-500R, DN-700R und DN-900R)

Um die Aufnahme zu starten, drücken Sie die **Aufnahme-Taste**. Wie oft Sie die Taste drücken müssen, hängt davon ab, ob **One Touch-Aufnahme** am mit Ihrer Fernbedienung verbundenen Gerät aktiviert oder deaktiviert ist:

- Wenn **One Touch-Aufnahme** **deaktiviert** ist, drücken Sie die **Aufnahme-Taste** der Fernbedienung einmal, um in den Aufnahmemodus zu wechseln, und drücken Sie sie dann erneut, um die Aufnahme zu starten. Eine neue Datei wird für Ihre Aufnahme erstellt.
- Wenn die **One Touch-Aufnahme** in den Einstellungen Ihres Geräts auf **Ein** gesetzt ist, drücken Sie diese Taste einmal, um die Aufnahme zu starten. Eine neue Datei wird für Ihre Aufnahme erstellt.

Während der Aufnahme leuchtet die **Aufnahme-Taste** hell auf.

Um während der Aufnahme eine weitere neue Datei zu erstellen, drücken Sie die **Aufnahme-Taste**. Die Aufnahme wird fortgesetzt, aber zwischen der vorherigen und der neuen Datei aufgeteilt.

Um die Aufnahme zu unterbrechen, drücken Sie die **Pause-Taste**. Während eine Aufnahme pausiert ist, blinkt die **Aufnahme-Taste**. Nach dem Anhalten können Sie die Aufnahme erneut starten, indem Sie die **Aufnahme-Taste** drücken, wodurch dieselbe Datei ab dem Punkt fortgesetzt wird, an dem sie angehalten wurde.

Um die Aufnahme zu stoppen, drücken Sie die **Stopp-Taste**. Nachdem Sie die **Stopp-Taste** gedrückt haben, wird die zuletzt aufgezeichnete Datei von Anfang an vorgespeichert.



## Verwenden von Flash Start mit einem Computer

### Aktivieren der USB-Steuerung

Um die USB-Steuerung Ihrer Computeranwendung über Flash Start zu aktivieren, rufen Sie mit der Fernbedienung den Modus zur Steuerung der Anwendung auf, indem Sie die entsprechende Tastenkombination drücken:

- **Groove Music oder Windows Media Player:** Drücken Sie gleichzeitig die **Tasten Stopp** und **1**.
- **Apple Music oder iTunes auf einem Mac Computer:** Drücken Sie gleichzeitig **Stopp** und **2**.
- **Apple Music oder iTunes auf einem Windows Computer:** Drücken Sie gleichzeitig **Stopp** und **3**.
- **YouTube:** Drücken Sie gleichzeitig die Tasten **Stopp** und **4**.

**Hinweis:** In der Tabelle auf der Unterseite von Flash Start finden Sie Informationen zum Aufrufen der Modi sowie eine Liste der Funktionen der einzelnen Schaltflächen bei der Steuerung der einzelnen Computeranwendungen. Sie können diese Tabelle auch herunterladen, indem Sie auf den Abschnitt **Downloads** der Flash Start Fernbedienungsproduktseite auf [denonpro.com](http://denonpro.com) klicken.

### Abspielen, Auswählen und Durchsuchen von Dateien mit Groove Music, Windows Media Player, Apple Music oder iTunes

Um die **aktuelle Datei abzuspielen oder anzuhalten**, drücken Sie die Taste **Wiedergabe** oder **Pause**.

Um die **aktuelle Datei anzuhalten**, drücken Sie die **Stopp-Taste**.

**Hinweis:** Dieses Steuerelement gilt nicht, wenn Sie Groove Music.

Um zur **vorherigen oder nächsten Datei zu springen**, drücken Sie die Taste **Zurück** oder **Weiter**.

Um die **aktuelle Datei zurückzuspulen**, drücken Sie die **Rückspultaste**.

**Hinweis:** Dieses Steuerelement gilt nicht, wenn Sie Groove Music, Apple Music auf einem Mac-Computer oder iTunes auf einem Mac-Computer verwenden. Wenn Sie Windows Media Player verwenden, funktioniert dieses Steuerelement nur mit Videodateien.

Um die **aktuelle Datei schnell vorzuspulen**, drücken Sie die Taste **Vorspulen**.

**Hinweis:** Dieses Steuerelement gilt nicht, wenn Sie Groove Music, Apple Music auf einem Mac-Computer oder iTunes auf einem Mac-Computer verwenden.

Um das **Zurück- oder Vorspulen zu beenden**, drücken Sie die Taste **Wiedergabe** oder **Pause**.

Um die **Wiederholung ein- oder auszuschalten (nur Windows Media Player und Groove Music)**, drücken Sie die **Taste 10**.

Um die **Zufallswiedergabe ein- oder auszuschalten**, drücken Sie die **Taste 20**.

**Hinweis:** Dieses Steuerelement gilt nicht, wenn Sie Apple Music oder iTunes.

### Abspielen und Durchsuchen von YouTube-Videos

Um das **geöffnete Video abzuspielen oder anzuhalten**, drücken Sie die Taste **Wiedergabe** oder **Pause**.

Um das **geöffnete Video zu stoppen**, drücken Sie die **Stopp-Taste**.

Um im **geöffneten Video fünf Sekunden zurückzuspringen**, drücken Sie die **Taste 14**.

Um im **geöffneten Video fünf Sekunden vorwärts zu springen**, drücken Sie die **Taste 15**.

### Lautstärke einstellen

Um die **Lautstärke Ihrer Anwendung zu erhöhen**, drücken Sie die **Taste 1**.

Um die **Lautstärke Ihrer Anwendung zu verringern**, drücken Sie die **Taste 11**.

Um die **Anwendung stummzuschalten**, drücken Sie die **Aufnahmetaste**.

**Hinweis:** Dieses Steuerelement gilt nicht, wenn Sie Apple Music oder iTunes auf einem Mac-Computer verwenden.

## Beenden der USB-Steuerung

Wenn Sie die USB-Steuerung beenden möchten, damit Sie mit Flash Start ein Denon- oder Marantz Professional-Mediengerät steuern können, drücken Sie gleichzeitig die Tasten **Stopp** und **11**. Stellen Sie anschließend sicher, dass drücken Sie gleichzeitig die Tasten **Zurückspulen** und **Vorspulen**, damit Flash Start Ihr Mediengerät steuern kann.

## Appendix (English)

### List of Compatible Denon and Marantz Professional Devices

Listed below are the Denon and Marantz Professional devices that you can control with Flash Start. Also listed are the baud rates available on each device.

**Denon Professional:**

DN-500CB (9600, 38400, or 115200 b/s)	DN-700CB (9600, 38400, or 115200 b/s)
DN-500R (9600 or 38400 b/s)	DN-700R (9600 or 38400 b/s)
DN-501C (9600 or 38400 b/s)	DN-900R (9600 or 38400 b/s)
DN-700C (9600 or 38400 b/s)	

**Marantz Professional:**

PMD-526C (9600, 38400, or 115200 b/s)

### Technical Specifications

<b>Connectors</b>	(1) RS-232C 9-Pin D-Sub Female Connector (1) USB-B Port		
<b>RS-232C Connectivity</b>	<b>Transmission System:</b> Asynchronous full duplex <b>Data:</b> 8 bits (Start Bit: 1 Bit; Stop Bit: 1 Bit) <b>Parity:</b> None <b>Flow Control:</b> None <b>Baud Rate:</b> Selectable (9600, 38400, or 115200 b/s)		
<b>RS-232C Pin Arrangement</b>	<b>Pin 1:</b> GND <b>Pin 2:</b> TxD <b>Pin 3:</b> RxD	<b>Pin 4:</b> NC <b>Pin 5:</b> GND <b>Pin 6:</b> NC	<b>Pin 7:</b> NC <b>Pin 8:</b> NC <b>Pin 9:</b> NC
<b>Power</b>	Via USB connection <b>Consumption:</b> 0.3 W		
<b>Environmental Requirements</b>	<b>Operating Temperature:</b> 41 - 95 °F (5 - 35 °C) <b>Storage Temperature:</b> -4 - 140 °F (-20 - 60 °C) <b>Operating/Storage Humidity:</b> 25% - 85%, non-condensing		
<b>Dimensions</b> (width x depth x height)	10" x 4" x 1.1" 255 x 100 x 29 mm		
<b>Weight</b>	1.5 lbs. 0.7 kg		

Specifications are subject to change without notice.

### Trademarks & Licenses

Denon is a trademark of D&M Holdings Inc., registered in the U.S. and other countries. Denon Professional products are produced by inMusic Brands, Inc., Cumberland, RI 02864, USA. Marantz is a trademark of D&M Holdings Inc., registered in the U.S. and other countries. Marantz Professional products are produced by inMusic Brands, Inc., Cumberland, RI 02864, USA. macOS is a trademark of Apple Inc., registered in the U.S. and other countries. Windows is a registered trademark of Microsoft Corporation in the United States and other countries. All other product names, company names, trademarks, or trade names are those of their respective owners.

**denonpro.com**