

4-Room Audio System

The Crestron® [C2N-AMP-4X100](#) and [C2NI-AMP-4X100](#) are versatile and cost-effective multiroom audio systems designed for small to moderate-sized houses, condominiums, and businesses. Its integrated multichannel power amplifier provides ample power for up to four rooms, which can be expanded with additional C2N-AMP-4X100 units.

The C2N-AMP-4X100 and C2NI-AMP-4X100 are functionally identical. For simplicity within this guide, the term "C2N-AMP-4X100" is used except where noted.



Install

Refer to the [Safety Instructions](#) (Doc. 6607) prior to installation.

The C2N-AMP-4X100 is designed for placement on a table.

Place on a Table

Place the C2N-AMP-4X100 on a table or stack on top of another device.



In the Box

- 1 C2N(I)-AMP-4X100 4-Room Audio System

Additional Items

- 6 Connector, 4-Pin (2003576)
- 4 Connector, 4-Pin, Right-Angle (2003584)
- 1 Label, Custom, Identification (4509950)
- 1 Label, Filler Strip, Cardstock, 3.9 in. x 0.4 in. (4509951)

C2N-AMP-4X100 Only

- 1 Power Cord, 6 ft 7 in. (2 m) (2001134)

C2NI-AMP-4X100 Only

- 1 Power Cord (varies by country)

4-Room Audio System

Connect

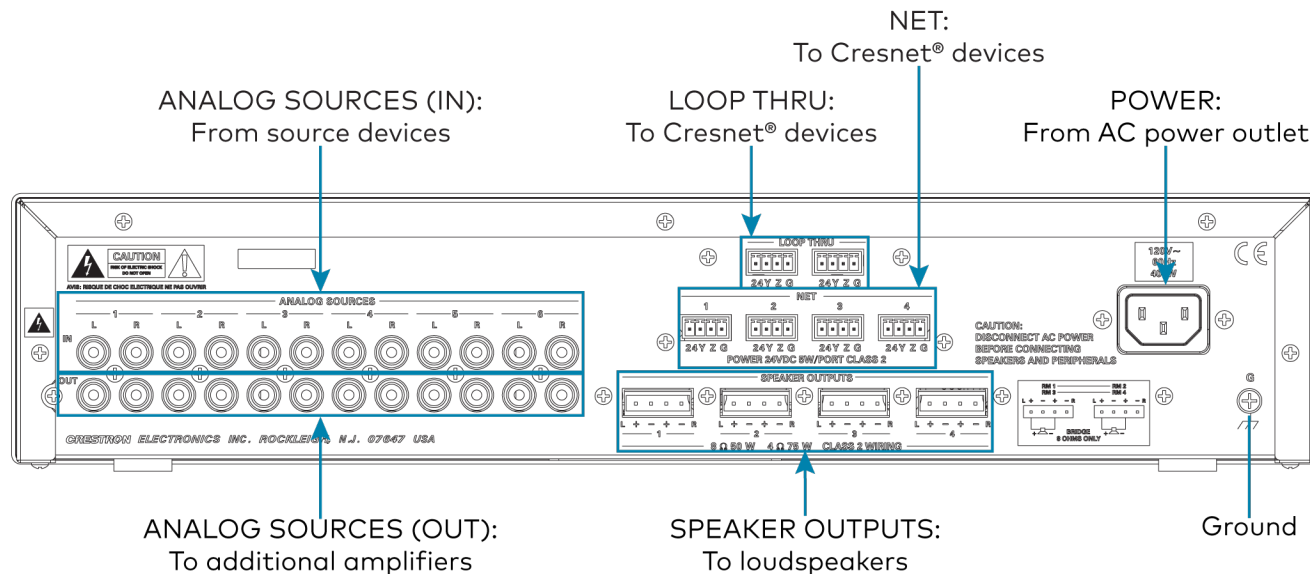
Connect the device as called out in the following illustrations. Connect power last.

WARNING: This amplifier is capable of delivering large amounts of undistorted power to the loudspeakers. Please use caution and adequate ear protection if listening to content at high volume levels as continued exposure to high sound pressure levels can cause permanent hearing impairment or loss.

CAUTION:

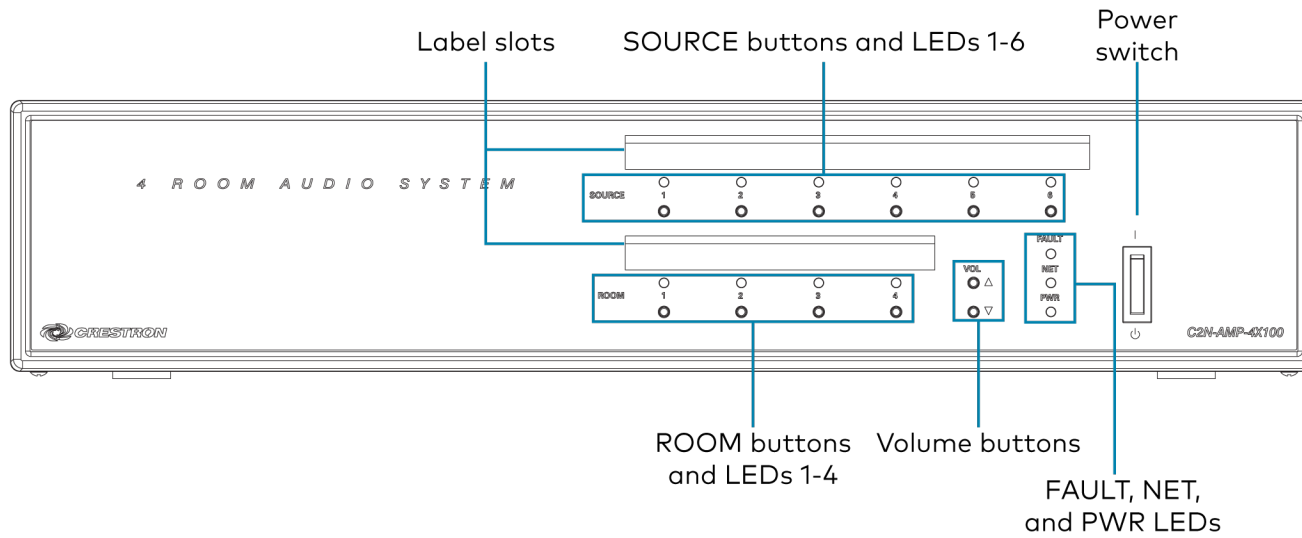
- Keep the device unplugged until all of the input, network, output, and speaker wiring is complete.
- Check the speaker cables for shorts and frayed wiring around the SPEAKER OUTPUTS connectors.

C2N-AMP-4X100 rear panel



4-Room Audio System

C2N-AMP-4X100 front panel



4-Room Audio System

Connect Devices

The C2N-AMP-4X100 connects to a Crestron control system and Cresnet devices over Cresnet.

NET Port

Connect the NET ports to other Cresnet devices to communicate with a Crestron control system over Cresnet. Each port is rated for 5 W of Cresnet power.

LOOP THRU Port

Connect the LOOP THRU ports to a Crestron control system or additional C2N-AMP-4X100 units.

Connect Audio Sources

ANALOG SOURCES IN 1 - 6 receive unbalanced analog audio through RCA connectors.

Connect Audio Outputs

ANALOG SOURCES OUT 1 - 6

ANALOG SOURCES OUT 1 - 6 are paralleled with their respective inputs for connection to additional C2N-AMP-4X100 units or external audio preamplifiers or receivers through RCA connectors.

SPEAKER OUTPUTS 1 - 4

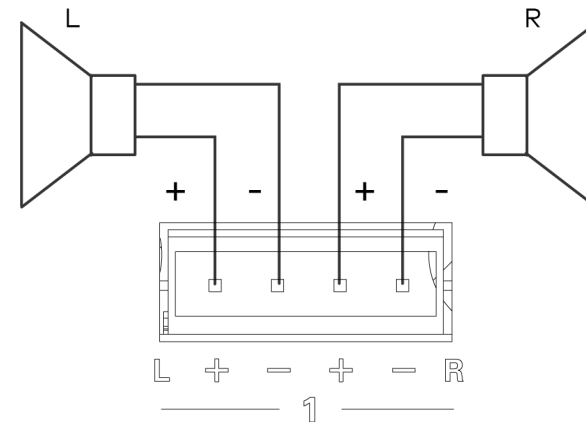
Speakers outputs can be configured and wired for stereo, bridged stereo, mono, or bridged mono operation. Each output's mode of operation is set independently (unless it is part of a bridged pair) with Crestron programming software such as SIMPL Windows. For details, refer to the programming software's help file.

Stereo Operation

Use stereo operation to send a stereo signal to a speaker output with separation of the left and right audio channels.

Connect a speaker output as shown for stereo operation.

Stereo wiring



4-Room Audio System

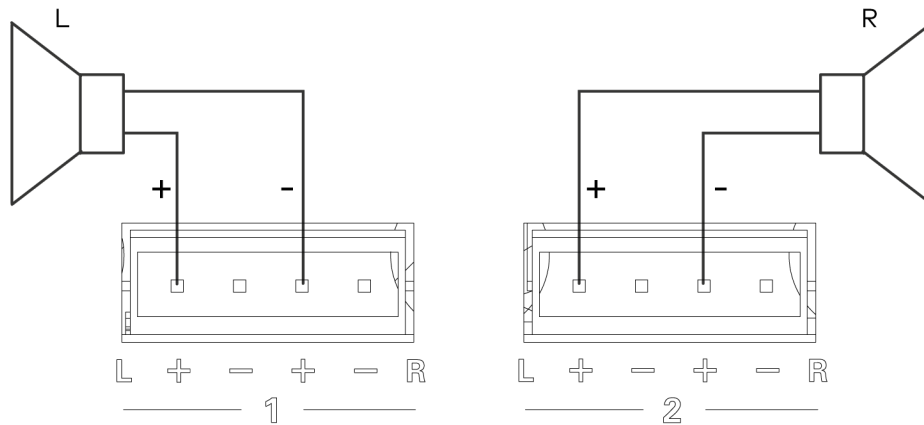
Bridged Stereo Operation

Use bridged stereo operation to pair speaker outputs for use in high-power applications (up to 150 W to an 8 ohm speaker) while maintaining separation of the left and right audio input channels. The C2N-AMP-4X100 can enable the following SPEAKER OUTPUT pairs for bridged stereo operation.

- SPEAKER OUTPUT 1 paired with SPEAKER OUTPUT 2
- SPEAKER OUTPUT 3 paired with SPEAKER OUTPUT 4

Connect a pair of speaker outputs as shown for bridged stereo output.

Bridged stereo wiring



NOTES:

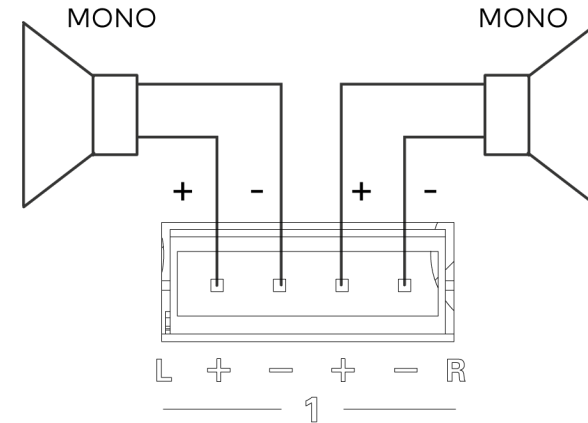
- Two adjacent room speaker outputs are required. SPEAKER OUTPUT 1 is paired with SPEAKER OUTPUT 2, while SPEAKER OUTPUT 3 is paired with SPEAKER OUTPUT 4.
- To adjust the volume of a pair of bridged speaker outputs, select **ROOM 1** for control of SPEAKER OUTPUTS 1 and 2, or select **ROOM 2** for control of speaker outputs 3 and 4. For instructions on adjusting volume, refer to [Adjust Room Volume](#).

Mono Operation

Use mono operation to sum the left and right input channels to a mono signal that is sent to both channels of a speaker output.

Connect a speaker output as shown for mono operation.

Mono wiring



Bridged Mono Operation

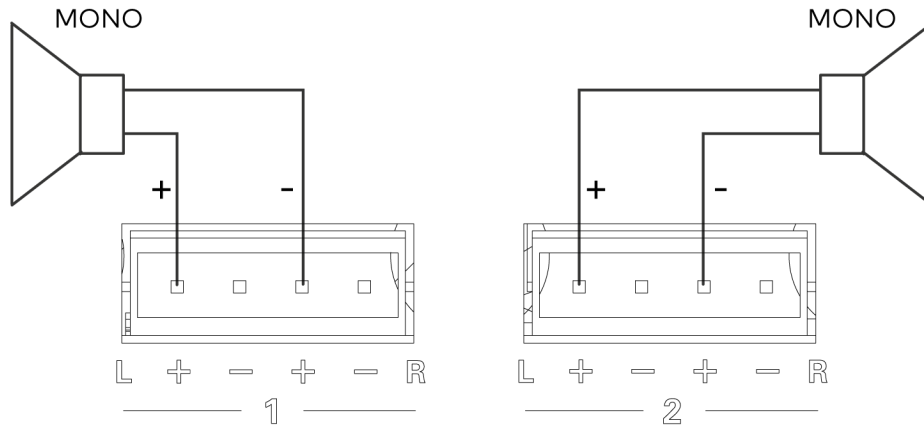
When set for bridged mono operation, C2N-AMP-4X100 sums the left and right input channels to a mono signal and sends the signal to both channels of a paired speaker output for high-power applications (up to 150 W to an 8 ohm speaker). The C2N-AMP-4X100 can enable the following SPEAKER OUTPUT pairs for bridged mono operation.

- SPEAKER OUTPUT 1 paired with SPEAKER OUTPUT 2
- SPEAKER OUTPUT 3 paired with SPEAKER OUTPUT 4

4-Room Audio System

Connect a pair of speaker outputs as shown for bridged mono output.

Bridged mono wiring



NOTES:

- Two adjacent room speaker outputs are required. SPEAKER OUTPUT 1 is paired with SPEAKER OUTPUT 2, while SPEAKER OUTPUT 3 is paired with SPEAKER OUTPUT 4.
- To adjust the volume of a pair of bridged speaker outputs, select **ROOM 1** for control of SPEAKER OUTPUTS 1 and 2 or select **ROOM 2** for control of speaker outputs 3 and 4. For instructions on adjusting volume, refer to [Adjust Room Volume](#).



Label Buttons

The **SOURCE** and **ROOM** buttons can be customized with the included labels and label inserts.

1. Apply the peel-and-stick labels to the appropriate locations on the label inserts.

NOTES:

- The label locations must match the locations set in the programming software.
- For the best appearance, the labels should cover the white guidelines on the label inserts.

2. Carefully slide the label inserts into the label slots.

4-Room Audio System



Operation

The C2N-AMP-4X100 can be controlled from the front panel.

Power

- Move the **POWER** switch to **I** to turn on the C2N-AMP-4X100.
- Move the **POWER** switch to **O** to turn off the C2N-AMP-4X100.

Status LEDs

- **PWR**: The **PWR** LED indicates standby or booting up (amber), or power (green).
- **NET**: The **NET** LED indicates communication with a Cresnet system.
- **FAULT**: When lit, the **FAULT** LED indicates a temperature, DC, or over current fault condition.

Route Sources

Select sources and rooms to connect to the selected source. Multiple rooms can be connected and disconnected from a source.

Select a Source

Press a **SOURCE** button. The associated **SOURCE** LED will light.

NOTE: If a room is already connected to the source, its associated **ROOM** LED will light.

Connect a Room to a Source

With a source selected, press any **ROOM** button to connect it to the source. The associated **ROOM** LED will light.

NOTES:

- If **SPEAKER OUTPUTS** 1 and 2 are bridged, the **ROOM 1** button and LED act in unison with the **ROOM 2** button and LED.
- If **SPEAKER OUTPUTS** 3 and 4 are bridged, the **ROOM 3** button and LED act in unison with the **ROOM 4** button and LED.

Disconnect a Room from a Source

Press a connected room's **ROOM** button to disconnect it from a source. The associated **ROOM** LED will turn off.

Adjust Room Volume

The volume level of a room is adjusted by placing the room in the Volume Control mode.

1. Press and hold the **ROOM** button of a connected room for 2 seconds to enter the Volume Control mode.
2. Press **▲** or **▼** to raise or lower the volume level in 1 dB increments or hold **▲** or **▼** to ramp the volume up or down in 1 dB/0.1 second increments.

NOTE: If the maximum or minimum volume level is reached, all of the LEDs will blink 3 times.

3. Press the **ROOM** button to exit the Volume Control mode.

NOTE: If **▲** or **▼** is not pressed for 10 seconds, the device will exit the Volume Control mode.

4-Room Audio System



Visit the Product Page

Scan the QR code to visit the product page.

C2N-AMP-4X100



www.crestron.com/model/6505759

C2NI-AMP-4X100



www.crestron.com/model/6505760

Additional Information

For information on RoHS declarations for the C2N-AMP-4X100, refer to the [C2N-AMP-4X100 Notice](#) (Doc. 8841).

Regulatory Models: C2N-AMP-4X100, C2NI-AMP-4X100

Original Instructions

The U.S. English version of this document is the original instructions. All other languages are a translation of the original instructions.

Crestron product development software is licensed to Crestron dealers and Crestron Service Providers (CSPs) under a limited nonexclusive, nontransferable Software Development Tools License Agreement. Crestron product operating system software is licensed to Crestron dealers, CSPs, and end-users under a separate End-User License Agreement. Both of these Agreements can be found on the Crestron website at www.crestron.com/legal/software_license_agreement.

The product warranty can be found at www.crestron.com/warranty.

The specific patents that cover Crestron products are listed at www.crestron.com/legal/patents.

Certain Crestron products contain open source software. For specific information, visit www.crestron.com/opensource.

Crestron, the Crestron logo, and Cresnet are either trademarks or registered trademarks of Crestron Electronics, Inc. in the United States and/or other countries. Other trademarks, registered trademarks, and trade names may be used in this document to refer to either the entities claiming the marks and names or their products. Crestron disclaims any proprietary interest in the marks and names of others. Crestron is not responsible for errors in typography or photography.

©2020 Crestron Electronics, Inc.

Doc. 7288C

07/30/20